



Accessory for pneumatic rotary actuators

- Combines the functions of a position feedback and a solenoid valve in one
- Available with 3/2 way, 5/2 way or without solenoid valve
- ATEX versions available
- Perfectly suited for pneumatic actuators: 2051 and 2052
- Adjustable bracket allows the combination with actuators in different sizes

Product variants described in the data sheet may differ from the product presentation and description.

Type description

Type 1061 combines the function of a position feedback and a solenoid valve in one box. It can be used with pneumatic rotary actuators of type 2051 and 2052, which are part of the system type 8805. Type 1061 is available in different variations of limit switches (micro switches, inductive sensors) and solenoid valves (3/2 way, 5/2 way or without solenoid valve). Next to this, an ATEX version and variants with ASi fieldbus connections are also available. Because of the several available variations, it perfectly meets the requirements of different applications and processes.

Table of contents

1. General technical data	3
2. Product versions	4
2.1. Type 1061 with electromechanical feedback.....	4
Dimensions	4
Terminal connection diagramm	4
Ordering chart.....	4
2.2. Type 1061 with inductive feedback	5
Dimensions	5
Terminal connection diagramm	5
Ordering chart.....	5
2.3. Type 1061 with inductive feedback – ATEX version	6
Dimensions	6
Terminal connection diagramm	6
Ordering chart.....	6
2.4. Type 1061 with electromechanical feedback and AS-Interface	7
Dimensions	7
Terminal connection diagramm	7
Ordering chart.....	7
2.5. Type 1061 with inductive feedback and AS-Interface	8
Dimensions	8
Terminal connection diagramm	8
Ordering chart.....	8

1. General technical data

Product properties

Materials

Housing	Aluminium
Base (powder-coated)	RAL9005
Cover (powder-coated)	RAL7016
Seal	PUR
Dome	Polycarbonate
Switching precision	< 1.5°
Bracket	Adjustable Hole gauge: 80/130 mm x 30 mm Height: 20/30 mm

Electrical data

Switching capacity	4 A, 230 V AC
--------------------	---------------

Limit Switch

Micro Switch	Crouzet 83.161.301 Crouzet 83.161.8
Inductive Sensor	Pepperl+Fuchs NBB2-V3-E2 Pepperl+Fuchs NJ2-V3-N

Environment and installation

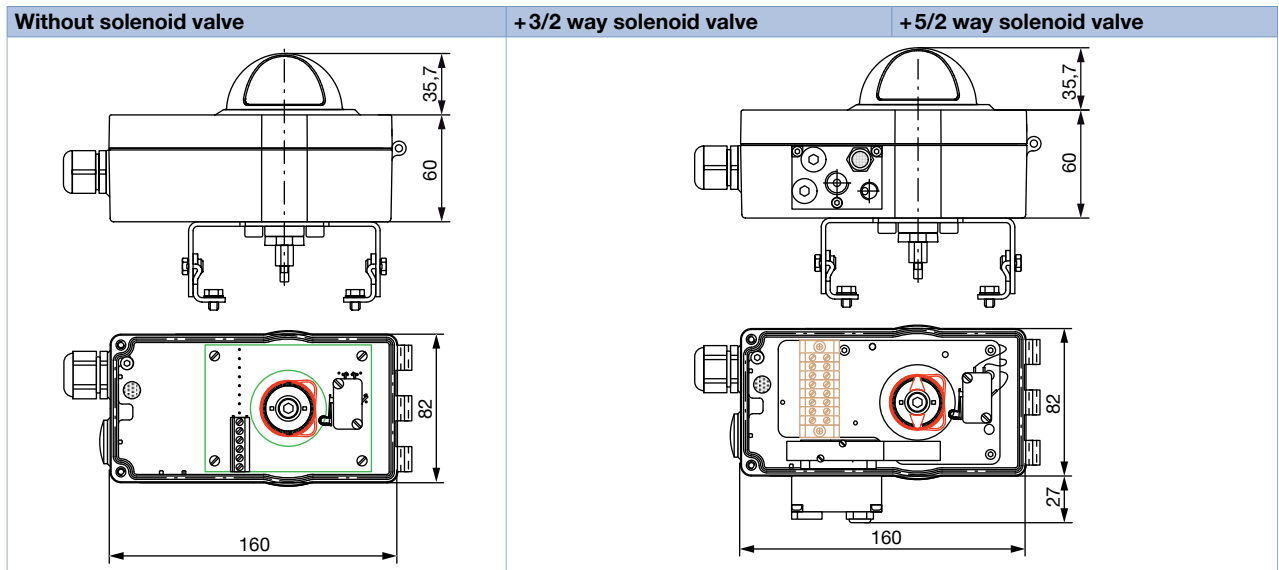
Operating conditions

Ambient temperature	-25 °C...- 10 °C up to 55 °C...85 °C
Degree of protection	IP65

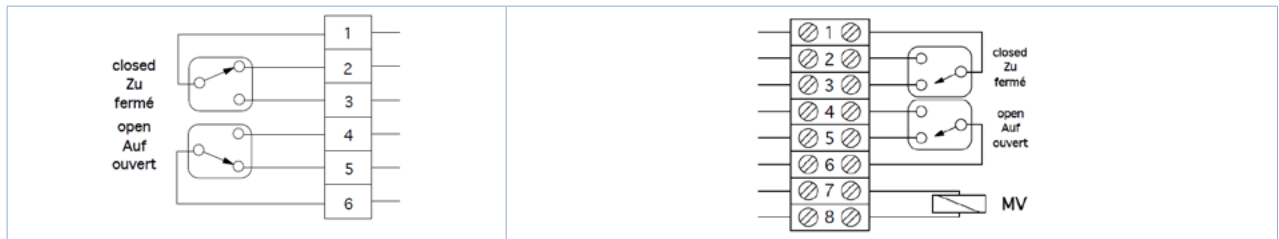
2. Product versions

2.1. Type 1061 with electromechanical feedback

Dimensions



Terminal connection diagramm

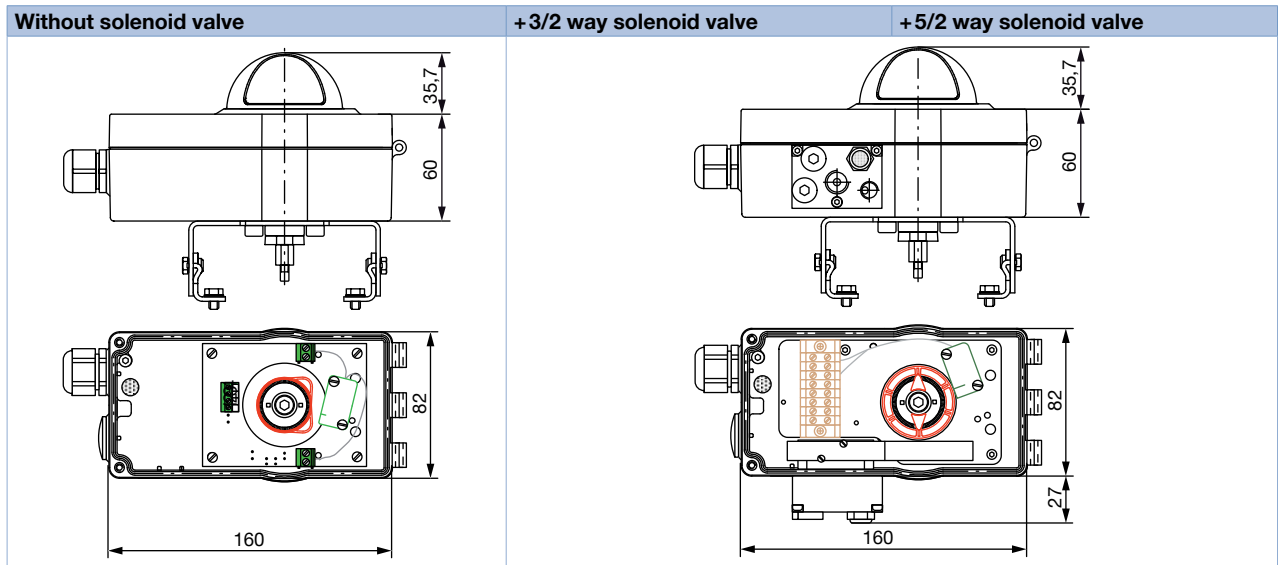


Ordering chart

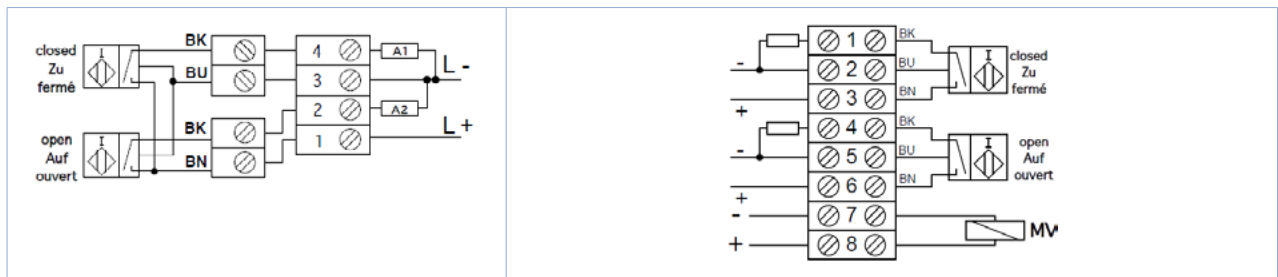
Technical Data	Without solenoid valve	+3/2 way solenoid valve	+5/2 way solenoid valve
Limit switch			
Manufacturer	Crouzet	Crouzet	Couzet
Type	83.161.301 micro switch	83.161.301 micro switch	83.161.301 micro switch
Switching capacity	16 A, 230 V AC/DC	16 A, 230 V AC/DC	16 A, 230 V AC/DC
Contacts	Silver nickel	Silver nickel	Silver nickel
System connection	Cable gland M20 x 1,5 Clamp range 8...13 mm	Cable gland M20 x 1,5 Clamp range 8...13 mm	Cable gland M20 x 1,5 Clamp range 8...13 mm
Terminals	Screw terminals up to 2,5 mm ²	Screw terminals up to 2,5 mm ²	Screw terminals up to 2,5 mm ²
Ambient temperature	-25 °C...85 °C	-10 °C...55 °C	-10 °C...55 °C
Solenoid valve			
Bürkert Type	-	6524 (Article no. 302827)	6525 (Article no. 302828)
Ways	-	3/2	5/2
Operating voltage	-	24 V DC	24 V DC
Nominal power	-	0,8 W	0,8 W
Orifice	-	4 mm	4 mm
Supply/exhaust air	-	G ¼, G ⅙	G ¼, G ⅙
Article no.	773151	773139	773140

2.2. Type 1061 with inductive feedback

Dimensions



Terminal connection diagramm



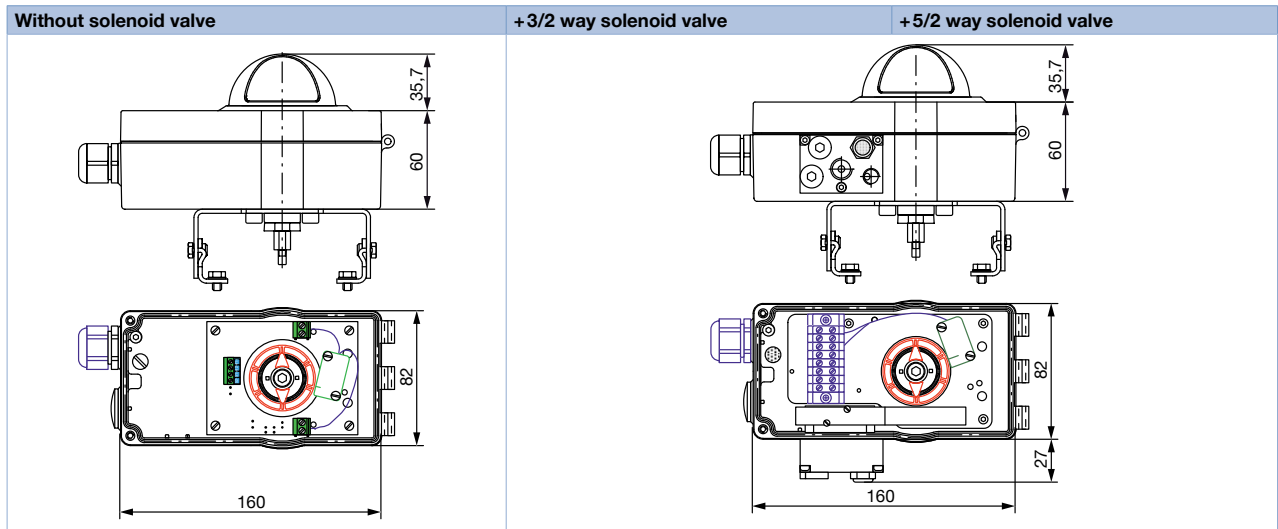
Ordering chart

Technical Data	Without solenoid valve	+3/2 way solenoid valve	+5/2 way solenoid valve
Limit switch			
Manufacturer	Pepperl + Fuchs	Pepperl + Fuchs	Pepperl + Fuchs
Type	NBB2-V3-E2 inductive sensor	NBB2-V3-E2 inductive sensor	NBB2-V3-E2 inductive sensor
Operating voltage	10...30 V DC	10...30 V DC	10...30 V DC
Operating current	0...100 mA	0...100 mA	0...100 mA
Output	Short-circuit and pole protected	Short-circuit and pole protected	Short-circuit and pole protected
System connection	Cable gland M20 x 1,5 Clamp range 8...13 mm	Cable gland M20 x 1,5 Clamp range 8...13 mm	Cable gland M20 x 1,5 Clamp range 8...13 mm
Terminals	Screw terminals up to 2,5 mm ²	Screw terminals up to 2,5 mm ²	Screw terminals up to 2,5 mm ²
Ambient temperature	-25 °C...70 °C	-10 °C...55 °C	-10 °C...55 °C
Solenoid valve			
Bürkert Type	-	6524 (Article no. 302827)	6525 (Article no. 302828)
Ways	-	3/2	5/2
Operating voltage	-	24 V DC	24 V DC
Nominal power	-	0,8 W	0,8 W
Orifice	-	4 mm	4 mm
Supply/exhaust air	-	G ¼, G ½	G ¼, G ½
Article no.	773152	773141	773142

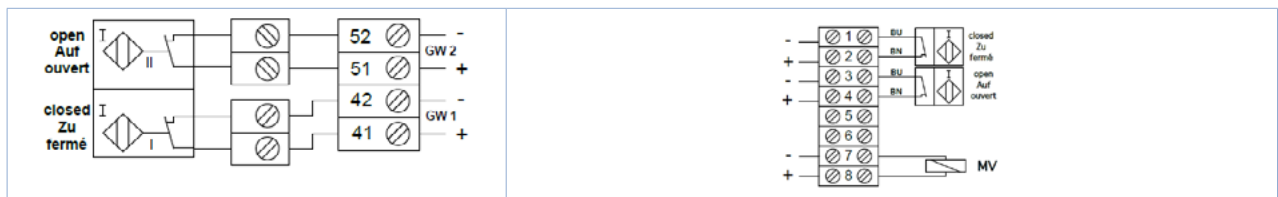
DTS 1000275088 EN Version: N Status: RL (released | freigegeben | valide) printed: 07.04.2022

2.3. Type 1061 with inductive feedback – ATEX version

Dimensions



Terminal connection diagramm

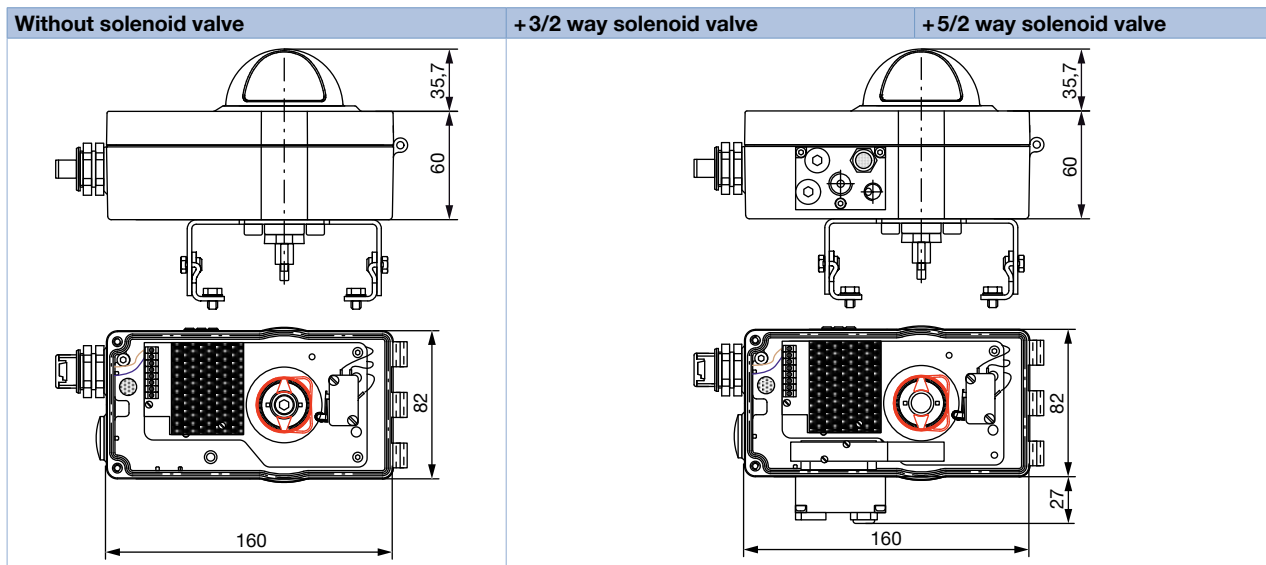


Ordering chart

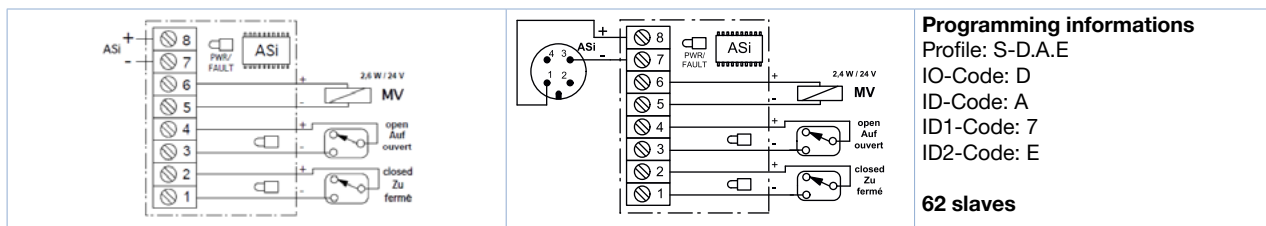
Technical Data	Without solenoid valve	+3/2 way solenoid valve	+5/2 way solenoid valve
Limit switch			
Manufacturer	Pepperl + Fuchs	Pepperl + Fuchs	Pepperl + Fuchs
Type	NJ2-V3-N inductive sensor	NJ2-V3-N inductive sensor	NJ2-V3-N inductive sensor
Operating voltage	8,2 V DC (1000 Ω)	8,2 V DC (1000 Ω)	8,2 V DC (1000 Ω)
Operating current	≥3 mA (not activated) ≤1 mA (activated)	≥3 mA (not activated) ≤1 mA (activated)	≥3 mA (not activated) ≤1 mA (activated)
Output	Short-circuit and pole protected	Short-circuit and pole protected	Short-circuit and pole protected
System connection	Cable gland M20 × 1,5 Clamp range 8...13 mm	Cable gland M20 × 1,5 Clamp range 8...13 mm	Cable gland M20 × 1,5 Clamp range 8...13 mm
Terminals	Screw terminals up to 2,5 mm ²	Screw terminals up to 2,5 mm ²	Screw terminals up to 2,5 mm ²
Ambient temperature	-25 °C...70 °C	-10 °C...55 °C	-10 °C...55 °C
Solenoid valve			
Bürkert Type	-	6524 (Article no. 184560)	6525 (Article no. 184564)
Ways	-	3/2	5/2
Electrical resistance	-	320 Ω	320 Ω
Min. Operating current	-	29 mA	29 mA
Power consumption	-	0,3 W	0,3 W
Orifice	-	4 mm	4 mm
Supply/exhaust air	-	G ¼, G ½	G ¼, G ½
ATEX Klassifizierung			
	II 2 G Ex eb ia IIC T6 Gb II 2 D Ex tb IIIC T80°C Db EG-Baumusterprüfbescheinigung PTB 10 ATEX 1061 X	⊕ II 2 G Ex ia IIC T6 Gb EG-Baumusterprüfbescheinigungen PTB 00 ATEX 2032 X (Sensor) PTB 07 ATEX 2048 (Magnetventil)	
Article no.	773153	773143	773144

2.4. Type 1061 with electromechanical feedback and AS-Interface

Dimensions



Terminal connection diagramm



Programming informations

Profile: S-D.A.E
 IO-Code: D
 ID-Code: A
 ID1-Code: 7
 ID2-Code: E

62 slaves

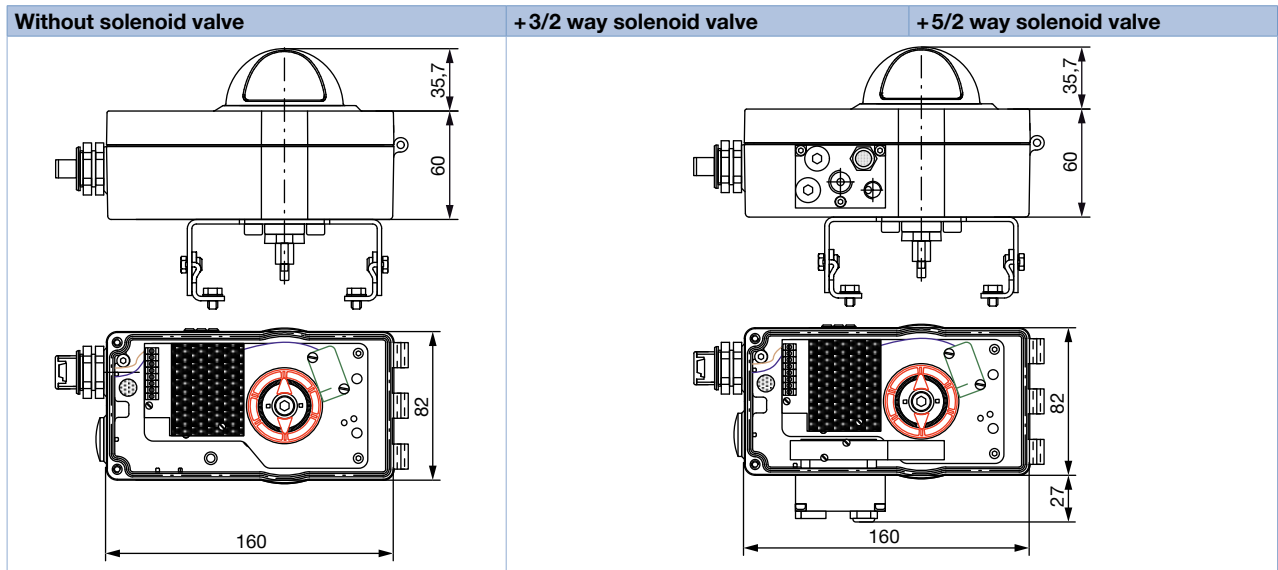
Ordering chart

Technical Data	Without solenoid valve	+3/2 way solenoid valve	+5/2 way solenoid valve
Limit switch			
Manufacturer	Crouzet	Crouzet	Couzet
Type	83.161.8 micro switch	83.161.8 micro switch	83.161.8 micro switch
Contacts	Gold	Gold	Gold
Plug-in card	ASi – 2 inputs, 1 output	ASi – 2 inputs, 1 output	ASi – 2 inputs, 1 output
Operating voltage	26,5...31 V DC	26,5...31 V DC	26,5...31 V DC
System connection	ASi cable connector M12-connector, male, 4 pin	ASi cable connector M12-connector, male, 4 pin	ASi cable connector M12-connector, male, 4 pin
Terminals	Screw terminals up to 1,5 mm ²	Screw terminals up to 1,5 mm ²	Screw terminals up to 1,5 mm ²
Ambient temperature	-10 °C...60 °C	-10 °C...55 °C	-10 °C...55 °C
Solenoid valve			
Bürkert Type	-	6524 (Article no. 302827)	6525 (Article no. 302828)
Ways	-	3/2	5/2
Operating voltage	24 V DC ^{1.)}	24 V DC	24 V DC
Nominal power	max. 2,4 W ^{1.)}	0,8 W	0,8 W
Orifice	-	4 mm	4 mm
Supply/exhaust air	-	G ¼, G ½	G ¼, G ½
Article no.			
ASi cable connector	773149 ☞	773145 ☞	773146 ☞
M12-connector	773292 ☞	773288 ☞	773298 ☞

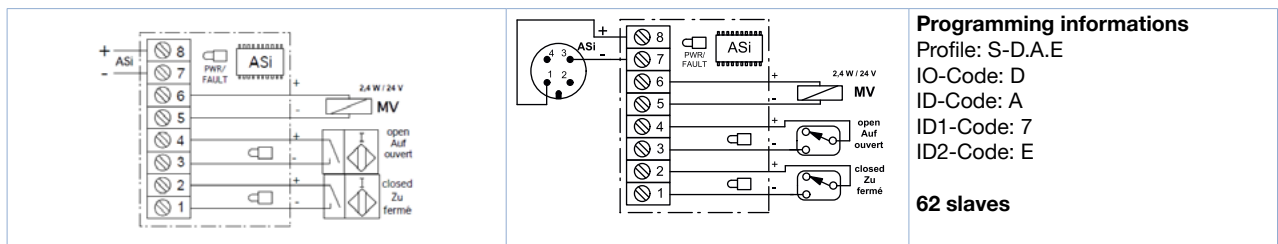
1.) if an extern solenoid valve should be connected

2.5. Type 1061 with inductive feedback and AS-Interface

Dimensions



Terminal connection diagramm



Programming informations

Profile: S-D.A.E

IO-Code: D

ID-Code: A

ID1-Code: 7

ID2-Code: E

62 slaves

Ordering chart

Technical Data	Without solenoid valve	+3/2 way solenoid valve	+5/2 way solenoid valve
Limit switch			
Manufacturer	Pepperl + Fuchs	Pepperl + Fuchs	Pepperl + Fuchs
Type	NBB2-V3-E2 inductive sensor	NBB2-V3-E2 inductive sensor	NBB2-V3-E2 inductive sensor
Contacts	Gold	Gold	Gold
Plug-in card	ASi – 2 inputs, 1 output	ASi – 2 inputs, 1 output	ASi – 2 inputs, 1 output
Operating voltage	26,5...31 V DC	26,5...31 V DC	26,5...31 V DC
System connection	ASi cable connector M12-connector, male, 4 pin	ASi cable connector M12-connector, male, 4 pin	ASi cable connector M12-connector, male, 4 pin
Terminals	Screw terminals up to 1,5 mm ²	Screw terminals up to 1,5 mm ²	Screw terminals up to 1,5 mm ²
Ambient temperature	-25 °C...60 °C	-10 °C...55 °C	-10 °C...55 °C
Solenoid valve			
Bürkert Type	–	6524 (Article no. 302827)	6525 (Article no. 302828)
Ways	–	3/2	5/2
Operating voltage	24 V DC ¹⁾	24 V DC	24 V DC
Nominal power	max. 2,4 W ¹⁾	0,8 W	0,8 W
Orifice	–	4 mm	4 mm
Supply/exhaust air	–	G ¼, G ½	G ¼, G ½
Article no.			
ASi cable connector	773150	773147	773148
M12-connector	773293	773290	773291

1.) if an extern solenoid valve should be connected

Bürkert – Close to You

For up-to-date addresses
please visit us at
www.burkert.com

DTS 1000275088 EN Version: N Status: RL (released | freigegeben | validé) printed: 07.04.2022

