



Manufacturer

TLV CO., LTD.

Kakogawa, Japan

is approved by LRQA Ltd. to ISO 9001/14001



Instruction Manual

Float Dynamic Steam Trap **JH15E/JH15M/JH15S**

Contents

Introduction	1
Safety Considerations	2
Points to be Noted for Piping Installation	4
Principles of Operation	6
Specifications	7
Configuration	8
Installation	9
Operation	10
Maintenance	11
Operating the Air Vent Valve	13
Disassembly/Reassembly	15
Instructions for Plug/Holder Disassembly and Reassembly ...	18
Troubleshooting	19
TLV EXPRESS LIMITED WARRANTY	20
Service	22

Introduction

Thank you for purchasing the TLV float dynamic steam trap.

This product has been thoroughly inspected before being shipped from the factory. When the product is delivered, before doing anything else, check the specifications and external appearance to make sure nothing is out of the ordinary. Also be sure to read this manual carefully before use and follow the instructions to be sure of using the product properly.

The JH15 steam trap is designed to automatically discharge condensate from the steam space. This trap is ideal for use on heaters or dryers or other steam equipment on applications where large quantities of condensate are generated.





If detailed instructions for special order specifications or options not contained in this manual are required, please contact TLV for full details.



This instruction manual is intended for use with the model(s) listed on the front cover. It is necessary not only for installation, but for subsequent maintenance, disassembly/reassembly and troubleshooting. Please keep it in a safe place for future reference.

Safety Considerations


- Read this section carefully before use and be sure to follow the instructions.
- Installation, inspection, maintenance, repairs, disassembly, adjustment and valve opening/closing should be carried out only by trained maintenance personnel.
- The precautions listed in this manual are designed to ensure safety and prevent equipment damage and personal injury. For situations that may occur as a result of erroneous handling, three different types of cautionary items are used to indicate the degree of urgency and the scale of potential damage and danger: DANGER, WARNING and CAUTION.
- The three types of cautionary items above are very important for safety: be sure to observe all of them as they relate to installation, use, maintenance, and repair. Furthermore, TLV accepts no responsibility for any accidents or damage occurring as a result of failure to observe these precautions.

Symbols

	Indicates a DANGER, WARNING or CAUTION item.
	Indicates an urgent situation which poses a threat of death or serious injury
	Indicates that there is a potential threat of death or serious injury
	Indicates that there is a possibility of injury or equipment/product damage

	<p>NEVER apply direct heat to the float.</p> <p>The float may explode due to increased internal pressure, causing accidents leading to serious injury or damage to property and equipment.</p>
	<p>Install properly and DO NOT use this product outside the recommended operating pressure, temperature and other specification ranges.</p> <p>Improper use may result in such hazards as damage to the product or malfunctions that may lead to serious accidents. Local regulations may restrict the use of this product to below the conditions quoted.</p> <p>DO NOT use this product in excess of the maximum operating pressure differential.</p> <p>Such use could make discharge impossible (blocked).</p> <p>Use hoisting equipment for heavy objects (weighing approximately 20 kg (44 lb) or more).</p> <p>Failure to do so may result in back strain or other injury if the object should fall.</p> <p>Take measures to prevent people from coming into direct contact with product outlets.</p> <p>Failure to do so may result in burns or other injury from the discharge of fluids.</p>

Continued on the next page

 CAUTION	<p>When disassembling or removing the product, wait until the internal pressure equals atmospheric pressure and the surface of the product has cooled to room temperature.</p> <p>Disassembling or removing the product when it is hot or under pressure may lead to discharge of fluids, causing burns, other injuries or damage.</p>
	<p>Be sure to use only the recommended components when repairing the product, and NEVER attempt to modify the product in any way.</p> <p>Failure to observe these precautions may result in damage to the product and burns or other injury due to malfunction or the discharge of fluids.</p>
	<p>Use only under conditions in which no freeze-up will occur.</p> <p>Freezing may damage the product, leading to fluid discharge, which may cause burns or other injury.</p>
	<p>Use only under conditions in which no water hammer will occur.</p> <p>The impact of water hammer may damage the product, leading to fluid discharge, which may cause burns or other injury.</p>
	<p>Firmly secure piping immediately before and after the product.</p> <p>During operation (opening/closing of the main valve), discharging condensate and return flow may cause vibration (strong shocks), which could lead to severe pipeline shaking and even damage resulting in burns or other injury from the discharge of fluids.</p>

Points to be Noted for Piping Installation



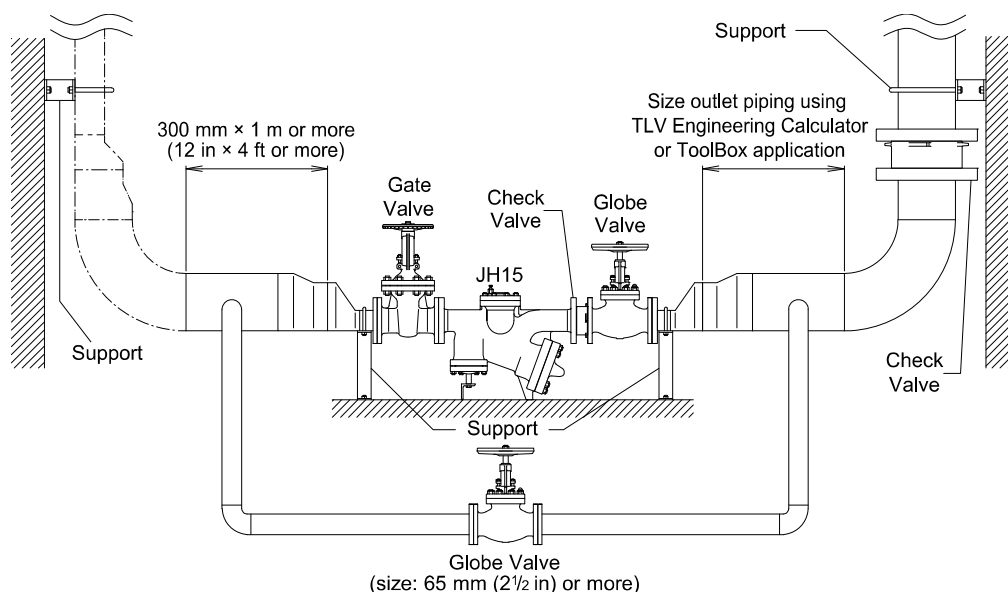
Use only under conditions in which no water hammer will occur. The impact of water hammer may damage the product, leading to fluid discharge, which may cause burns or other injury.



Firmly secure piping immediately before and after the product. During operation (opening/closing of the main valve), discharging condensate and return flow may cause vibration (strong shocks), which could lead to severe pipeline shaking and even damage resulting in burns or other injury from the discharge of fluids.

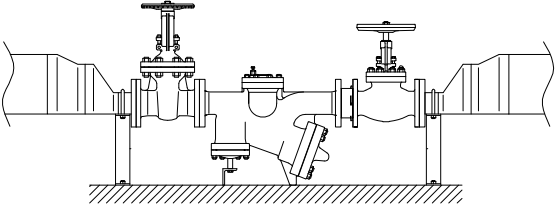
Ensure that the pipes are connected as mentioned below so that the JH15 can be installed properly.

[Piping example and pipe-support locations]



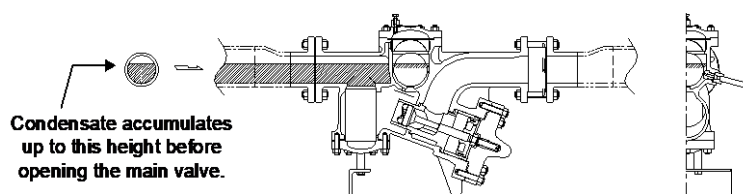
1. Horizontal piping sized according to the condensate load with a nominal size of up to 300 mm (12 in) fitted with an eccentric reducer should be installed at the trap inlet, with as few bends as possible, and so that the liquid will flow naturally down into the trap. (See the figure overleaf for details.)
2. The horizontal section of the trap outlet piping should be fitted with an eccentric increaser. Both horizontal and vertical sections of the outlet piping should be without sharp bends and sized according to the condensate load and velocity, The TLV Engineering Calculator or ToolBox application, "Condensate Recovery Pipe Sizing for Condensate Recovery Line by Velocity" function is recommended for appropriate pipe sizing.
3. A flash steam velocity of approx. 30 to 35 m/s (98 to 115 ft/s) and a condensate velocity of ≤ 2 m/s (6.5 ft/s) are recommended for the outlet piping. A large enough pipe diameter for the outlet pipe should be selected so that the condensate velocity can be reduced as much as possible.
4. Schedule 160 piping is recommended for the outlet piping.
5. The trap should be installed horizontally. (The trap should be inclined no more than 5° horizontally and front-to-back.)
6. Sufficient space should be secured for maintenance and the piping should be securely supported.
7. For models with an air vent plug, install an air bleed line and valve, and discharge safely to grade.

8. Inlet and outlet valves to isolate the trap, and a bypass valve should be installed.
 - The valves before and after the trap should be full port type, or have an equivalent CV value to full port type.
 - Installation of a gate valve is recommended to ensure a smooth flow path at the trap inlet side. Though a gate valve is also recommended at the trap outlet side, a globe valve can be used instead. For the bypass valve, use a globe type valve with a nominal size of 65 mm (2½ in) or more.
9. A check valve must be installed at the trap outlet side, in order to handle any back pressure from collecting pipes, pipe rises, etc at outlet side.

[Relationship between the pipe length and pipe diameter before and after the product]			
	Inlet horizontal piping		Outlet piping
	Length m (ft)	Size mm (in)	
	1 (4)*	300 (12)*	Use the TLV Engineering Calculator or ToolBox app, "Condensate Recovery Pipe Sizing for Condensate Recovery Line by Velocity" function.
	1.25 (4.5)	250 (10)	
	1.5 (5)	200 (8)	
	2.5 (8)	150 (6)	
	3.5 (11)	125 (5)	
5 (16)	100 (4)		

* Recommended by TLV

As the figure to the right shows, the inlet pipe operates as part of the main body for JH15 providing a place for condensate to accumulate.



Where the products service life is concerned, a longer operation cycle is necessary, thus it is important to have a horizontal piping section with a large volume. The greater the volume of the horizontal piping section, the more condensate can be discharged in one cycle, and the longer it will take to discharge leading to a longer operation cycle. (Valve-open state: period of time when condensate is discharged, valve-closed state: period of time when condensate is being accumulated.)

As a large amount of condensate is discharged at once, vibrations (strong shocks) associated with operation occur. The vibration (strong shocks) during operation can be reduced by ensuring the horizontal portion of the outlet pipe is of sufficient volume to accommodate the condensate load. Furthermore, safe and stable operation must be ensured by supporting the piping firmly.

Consult with TLV in case of difficulties with piping arrangement.

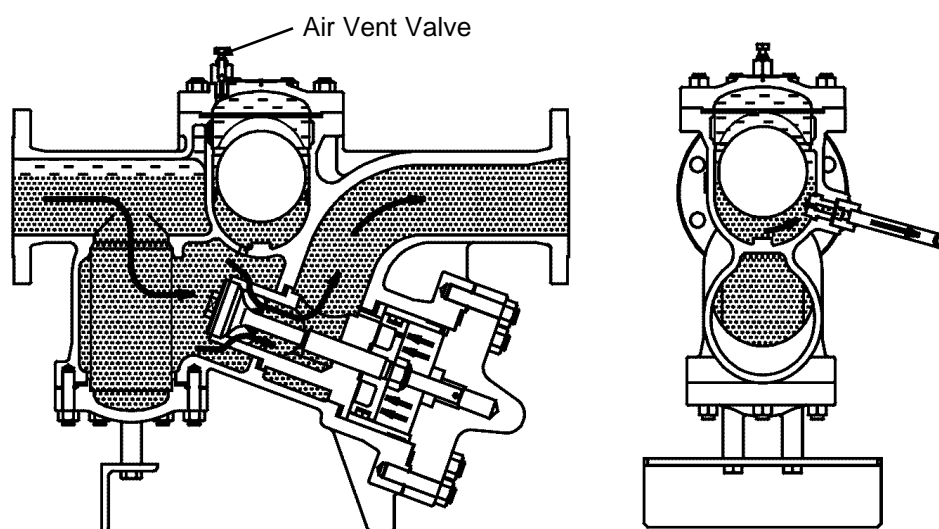
Principles of Operation

Valve Opens:

At start-up, air is discharged manually through operation of the air vent valve on the top of the cover.

When condensate flows into the trap, the float rises due to buoyancy and the condensate flows through the orifice into the cylinder, creating a secondary pressure there.

This secondary pressure pushes the piston up, opening the main valve and discharging the condensate that is inside the trap.

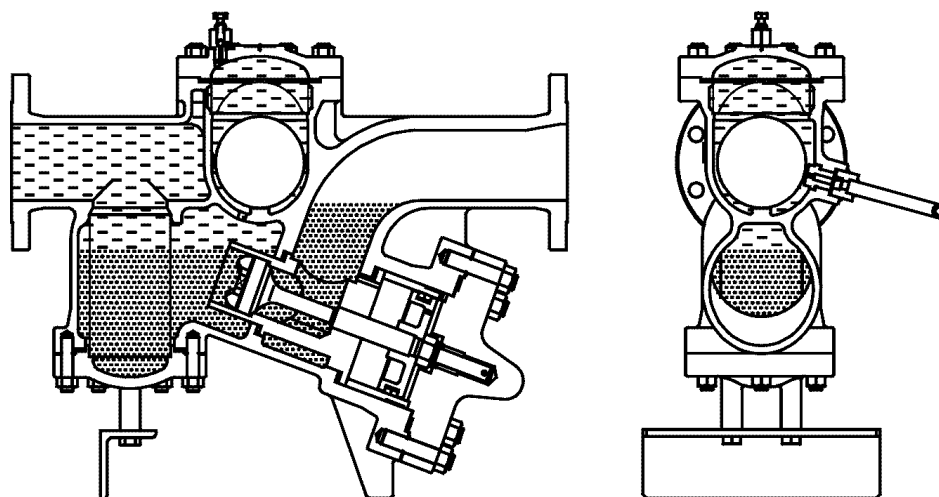


Valve Closes:

When condensate discharge is complete, the float falls, closing the orifice.

When this happens, the secondary pressure in the cylinder escapes to the outlet through the tiny holes in the piston, causing the inlet pressure to push the main valve back down and closed.

In this manner, condensate is intermittently discharged.



Specifications



Install properly and **DO NOT** use this product outside the recommended operating pressure, temperature and other specification ranges. Improper use may result in such hazards as damage to the product or malfunctions which may lead to serious accidents. Local regulations may restrict the use of this product to below the conditions quoted.

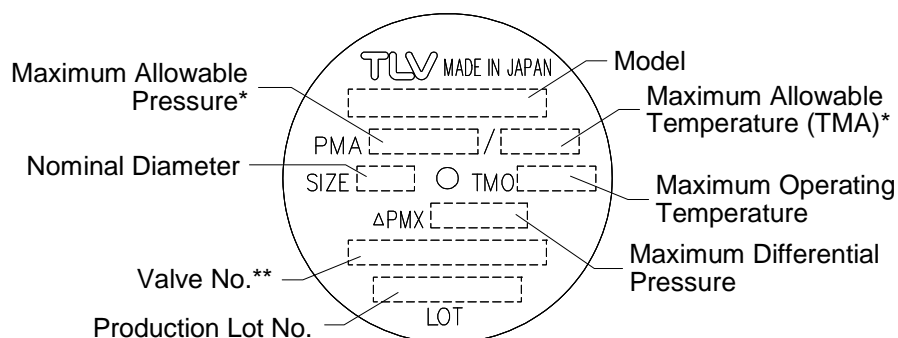


DO NOT use this product in excess of the maximum operating pressure differential; such use could make discharge impossible (blocked).



Use only under conditions in which no freeze-up will occur. Freezing may damage the product, leading to fluid discharge, which may cause burns or other injury.

Refer to the product nameplate for detailed specifications.

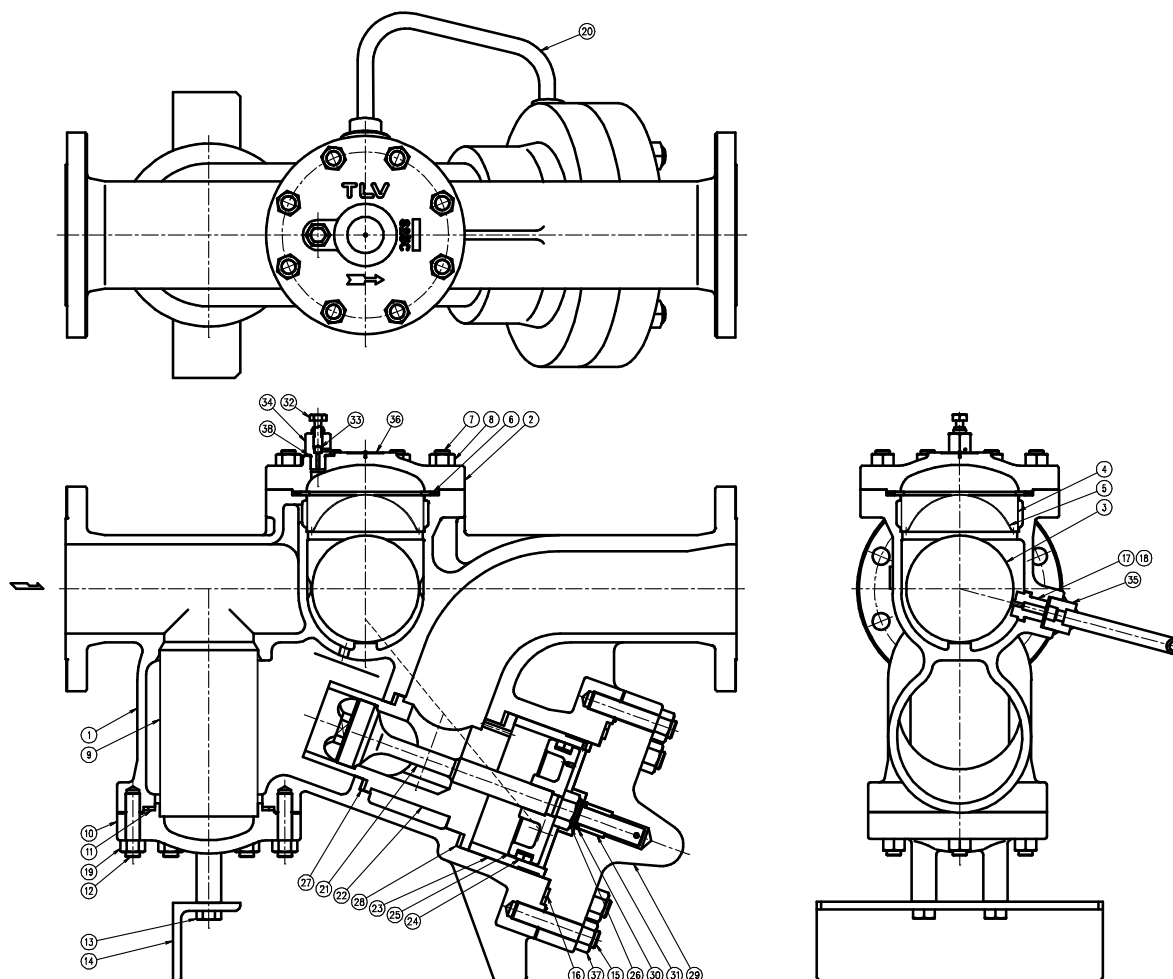


* Maximum allowable pressure (PMA) and maximum allowable temperature (TMA) are PRESSURE SHELL DESIGN CONDITIONS, **NOT** OPERATING CONDITIONS.

** Valve No. is displayed for products with options. This item is omitted from the nameplate when there are no options.

NOTE: The minimum differential pressure is 0.05 MPa (7 psi). Do not use this product with a differential pressure less than this.

Configuration



No.	Part Name	No.	Part Name	No.	Part Name
1	Body	14	Stand	27	Small Valve Seat Gasket
2	Cover	15	Valve Cover Bolt	28	Large Valve Seat Gasket
3	Float	16	Valve Cover Gasket	29	Valve Cover
4	Float Screen	17	Orifice	30	Snap Ring
5	Float Cover	18	Orifice Gasket	31	Sleeve
6	Cover Gasket	19	Screen Cover Nut	32	Air Vent Valve Stem
7	Cover Bolt	20	Connector Pipe	33	Steel Ball
8	Cover Nut	21	Main Valve	34	Air Vent Valve Body
9	Main Valve Screen	22	Valve Seat	35	Connector Pipe Socket
10	Screen Cover	23	Cylinder	36	Nameplate
11	Screen Cover Gasket	24	Piston Ring Set	37	Valve Cover Nut
12	Screen Cover Bolt	25	Piston	38	Air Vent Valve Gasket
13	Stand Bolt	26	U-Nut		

Installation



Install properly and **DO NOT** use this product outside the recommended operating pressure, temperature and other specification ranges. Improper use may result in such hazards as damage to the product or malfunctions which may lead to serious accidents. Local regulations may restrict the use of this product to below the conditions quoted.



Use hoisting equipment for heavy objects (weighing approximately 20 kg (44 lb) or more). Failure to do so may result in back strain or other injury if the object should fall.



Take measures to prevent people from coming into direct contact with product outlets. Failure to do so may result in burns or other injury from the discharge of fluids.



Firmly secure piping immediately before and after the product. During operation (opening/closing of the main valve), discharging condensate and return flow may cause vibration (strong shocks), which could lead to severe pipeline shaking and even damage resulting in burns or other injury from the discharge of fluids.

Installation, inspection, maintenance, repairs, disassembly, adjustment and valve opening/closing should be carried out only by trained maintenance personnel.

1. Before installation, be sure to remove all protective seals.
2. Before installing the product, open the inlet valve and blow out the piping to remove any piping scraps, dirt and oil. Close the inlet valve after blowdown.
3. Make sure the inlet valve (and outlet valve, if present) is closed before beginning installation.
4. Install the product so the arrow on the body is pointing in the direction of condensate flow.
5. Install the product into the piping in a manner that lets the condensate flow naturally down into the product.
6. When the product is operating (when the main valve is opening and closing), the discharging condensate and return flow may cause vibration (strong shocks). Therefore, the piping immediately before and after the product, as well as further downstream, must be properly supported and secured.
7. Install inlet and outlet valves to isolate the product and a bypass valve to discharge condensate from equipment and piping in the event of product failure and when performing maintenance.
8. Secure sufficient space for inspection and maintenance.

If there is a problem, determine the cause using the “Troubleshooting” section in this manual.

Operation

1. For Start-up Operation

- (1) Just after the trap is installed or when it has been idle for a long period of time, be sure to blow out the rust and scale from the inside of the piping before opening the trap inlet valve.
- (2) After opening the outlet valve, slowly open the inlet valve, being very careful not to open it too suddenly. When this is done, the steam trap will begin operation automatically. It will shortly stabilize into normal operation.
- (3) Reconfirm the status of the trap operation (see the “Operational Check” section). If status is normal and stable, continue use with the valve open as it is.
- (4) When the trap will not be used for long periods of time, be sure to discharge any residual condensate to prevent the pipes from rusting.

2. Corrective Measures When a Malfunction Occurs

- (1) In the event of an abnormality, first carry out the following:
 - a) Close the inlet valve (and the outlet valve, if present).
 - b) Open the bypass valve and discharge the condensate from the equipment and pipes using the bypass.
- (2) Let the trap body cool thoroughly and, being careful of residual pressure and hot condensate, take the appropriate corrective measures in line with the remedial procedures described in the troubleshooting section.

Maintenance



Take measures to prevent people from coming into direct contact with product outlets. Failure to do so may result in burns or other injury from the discharge of fluids.



When disassembling or removing the product, wait until the internal pressure equals atmospheric pressure and the surface of the product has cooled to room temperature. Disassembling or removing the product when it is hot or under pressure may lead to discharge of fluids, causing burns, other injuries or damage.



Be sure to use only the recommended components when repairing the product, and NEVER attempt to modify the product in any way. Failure to observe these precautions may result in damage to the product or burns or other injury due to malfunction or the discharge of fluids.

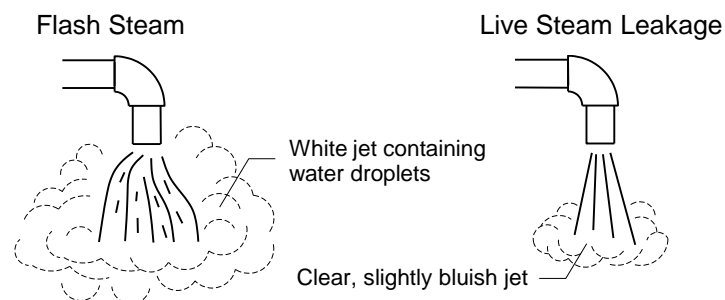
Operational Check

A visual inspection of the following items should be done on a daily basis to determine whether the product is operating properly or has failed. Periodically (at least biannually) the sound of operation and the product surface temperature should also be checked by using diagnostic equipment, such as a stethoscope or thermometer.

A complete disassembly and inspection should be performed at least once every 3 years.

If the product should fail, it may cause damage to piping and equipment, resulting in faulty or low quality products or losses due to steam leakage.

Normal:	Condensate is discharged intermittently and there is no leakage when the valve is closed. After the sound of the flow of condensate continues for some time, the sound of the valve closing on the valve seat can be heard. This is followed by an interval in which the product makes no sound, after which the cycle is again repeated.
Blocked: (Discharge Impossible)	No condensate is discharged. The product is quiet and makes no noise, and the surface temperature of the product is low.
Blowing:	Live steam continually flows from the outlet and there is a continuous metallic sound.
Steam Leakage:	Live steam is discharged through the trap outlet together with condensate, accompanied by a high-pitched sound.



Parts Inspection

When parts have been removed, or during periodic inspections, use the following table to inspect the parts and replace any that are found to be defective.

Procedure	
Gaskets:	Check for warping and damage
Screen:	Check for warping, clogging and corrosion
Float:	Check for deformation, scratches and dents
Orifice:	Check for deformation, scratches and wear
Float Chamber:	Check for clogging of small holes
Piston, Cylinder:	Check for damage and wear
Main Valve, Valve Seat:	Check for wear of seating surfaces
Cylinder, Piston:	Check for wear of moving and rubbing parts
Sleeve:	Check for wear
Body Interior:	Check for the build-up of scale
Orifice Opening:	Check for dirt, oil film, wear and damage

Operating the Air Vent Valve



Be sure to use only the recommended components when repairing the product, and NEVER attempt to modify the product in any way. Failure to observe these precautions may result in damage to the product or burns or other injury due to malfunction or the discharge of fluids.

Installation, inspection, maintenance, repairs, disassembly, adjustment and valve opening/closing should be carried out only by trained maintenance personnel.

1. Locate the air vent valve exhaust port before operating the air vent valve, and take care to avoid being burned by hot air or steam blowing from the vent. The exhaust port is a 2 mm ($\frac{1}{16}$ in) diameter hole on the side of the air vent valve body.

DO NOT under any circumstances allow any unprotected part of your body to come in front of this hole.

2. Never leave an open air vent valve unattended.

Tools required: 1) open-end wrench (distance across flats 17 mm ($\frac{1}{16}$ in))

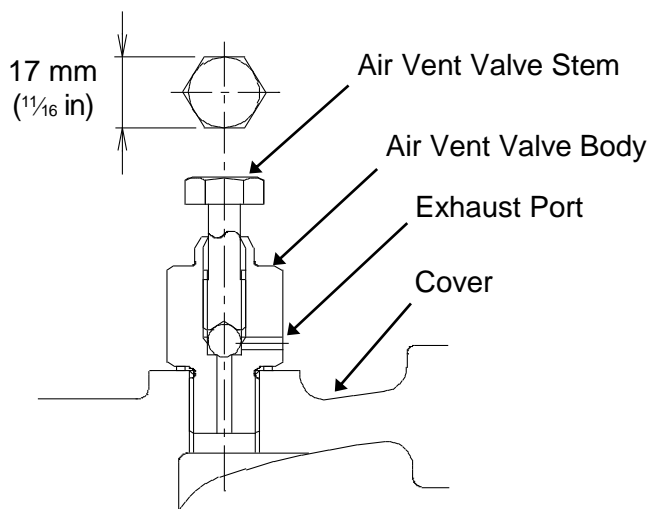
2) long-handled mirror to check for steam leakage after closing the exhaust port (leaking steam cloud the mirror)

- Using the open-end wrench, slowly turn the hexagonal head of the valve stem counterclockwise.
- Watch the exhaust port to determine the condition of the fluid discharged.

General guidelines:

Cloudy--water droplets and mist spraying out, indicating that air and condensate are being discharged

Clear----indicating that steam is being discharged; the valve port may now be closed



The air vent valve stem cannot be removed from the air vent valve body. Attempting to remove the valve by pulling it upward may damage it and cause burns or other injury due to malfunction or the discharge of steam or condensate.

3. Use the following procedure to close the valve and check for leaks:
 - Using the open-end wrench, close by slowly turning the hexagonal head of the valve stem clockwise until contact with the valve seat is felt.
 - Apply a little more pressure to tighten securely.

NOTE: Using an ordinary open-end wrench (handle length about 160 mm ($6\frac{1}{4}$ in)), the valve will close with only a light turn pressure. Tightening with too much force may result in seizure or damage to the seat.

 - After tightening, place the mirror close to the front of the exhaust port. If the mirror clouds, the valve is not fully closed; tighten a bit more.

4. When air enters the piping at start-up, it may accumulate inside the trap and hinder the flow of condensate (air binding). Air binding may also occur during the normal course of trap operation, due to the slow accumulation of air inside the trap. The air vent valve on the top of this trap is to be operated only when air binding has occurred. Follow the instructions in the earlier part of this section to operate the air vent valve and release the air accumulated inside the trap. (The air vent valve is to be open only for as long as is necessary to release the accumulated air. If left open, it is extremely dangerous, so be sure to close tightly after operation.)

Disassembly/Reassembly



NEVER apply direct heat to the float. The float may explode due to increased internal pressure, causing accidents leading to serious injury or damage to property and equipment.



Use hoisting equipment for heavy objects (weighing approximately 20 kg (44 lb) or more). Failure to do so may result in back strain or other injury if the object should fall.



When disassembling or removing the product, wait until the internal pressure equals atmospheric pressure and the surface of the product has cooled to room temperature. Disassembling or removing the product when it is hot or under pressure may lead to discharge of fluids, causing burns, other injuries or damage.

Use the following procedures to remove components. Use the same procedures in reverse to reassemble.

(Installation, inspection, maintenance, repairs, disassembly, adjustment and valve opening/closing should be carried out only by trained maintenance personnel.)

Disassembly/Reassembly of the Orifice and its Components

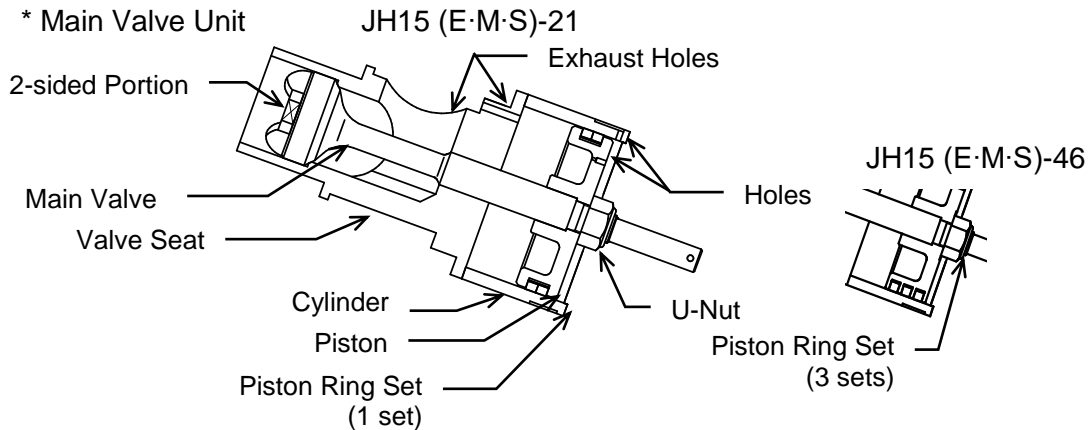
Before removing the orifice and its components and disassembly / reassembly, make sure there is no residual pressure inside the product.

Part	During Disassembly	During Reassembly
Cover Nut	Remove with a socket wrench	Tighten evenly, being careful not to tighten one side more than the other; consult the table of tightening torques and tighten to the proper torque
Cover	Remove the cover	Make sure there are no pieces of the old gasket left on the sealing surfaces and then reattach
Cover Gasket	Remove the cover gasket	Replace with a new gasket; make sure there are no pieces of the old gasket left on the sealing surfaces of the body and then insert
Air Vent Valve Body	Remove with a wrench	Consult the table of tightening torques and tighten to the proper torque
Air Vent Valve Gasket	Remove the gasket	Replace with a new gasket; coat surfaces with anti-seize
Float Screen	Lift straight up and out while rocking gently	Place on the float cover, making sure that the top of the screen does not stick up out of the body
Float Cover	Remove without bending	Place on the ledge inside the body, making sure the rounded side is on top
Float	Remove, being careful not to scratch the polished surface	Insert, being careful not to scratch or misshape
Orifice	Remove with a socket wrench	Coat threads with anti-seize, consult the table of tightening torques and tighten to proper torque
Orifice Gasket	Remove the orifice gasket	Replace with a new gasket, coat sealing surfaces with anti-seize

Disassembly/Reassembly of the Valve and its Components

Part	During Disassembly	During Reassembly
Valve Cover Nut	Remove with a socket wrench	Tighten evenly, being careful not to tighten one side more than the other; consult the table of tightening torques and tighten to the proper torque
Valve Cover	Remove the cover	—
Valve Cover Gasket	Remove the gasket and clean sealing surfaces	Replace with a new gasket if warped or damaged
Main Valve Unit*	Remove from the body; first, remove the cylinder from the unit, then grasp the 2-sided portion of the main valve securely, loosen the U-nut and remove, being careful not to scratch the piston ring	Grasp the 2-sided portion of the main valve securely, consult the table of tightening torques for the U-nut torque and tighten to the proper torque; if the piston ring is worn or damaged, replace with a new piston ring set; when setting the cylinder and piston, be careful not to scratch the piston ring; be sure to insert the cylinder with the side with the 4 holes to the outside (toward the side cover) and on the top (if inserted with the opposite orientation, the trap will not operate); when inserting the piston into the cylinder, be sure to insert it with the holes in the piston on the same side as the exhaust holes in the valve seat; when inserting the main valve unit into the body, make sure to insert it with the exhaust holes facing upward
Valve Seat Gaskets	Remove the gaskets between the main valve unit and the body (2 sizes)	Replace with new gaskets; make sure there are no pieces of the old gaskets left on the sealing surfaces of the body and valve seat and then insert

* Main Valve Unit



Disassembly/Reassembly of the Screen and its Components

Part	During Disassembly	During Reassembly
Stand Bolt	Remove with a wrench	Fasten securely
Screen Cover Nut	Offset the stand and remove the nut from the screen holder	Tighten evenly, being careful not to tighten one side more than the other
Screen Cover, Main Valve Screen	Remove the screen holder and take out the screen	Make sure there are no pieces of the old gasket left on the sealing surfaces; place screen on the screen cover and insert together into the body; consult the table of tightening torques and tighten nuts to the proper torque
Screen Cover Gasket	Remove the gasket and clean sealing surfaces	Replace with a new gasket; make sure there are no pieces of the old gasket left on the sealing surfaces of the body and then insert

Table of Tightening Torques

Part Name	Torque		Distance Across Flats	
	N·m	(lbf·ft)	mm	(in)
Cover Nut	110	(81)	24	(¹⁵ / ₁₆)
Valve Cover Nut	180	(130)	30	(1 ³ / ₁₆)
Screen Cover Nut	160	(115)	24	(¹⁵ / ₁₆)
Air Vent Valve Body	100	(73)	24	(¹⁵ / ₁₆)
Orifice	280	(205)	24	(¹⁵ / ₁₆)
U-Nut for the Main Valve Unit	200	(150)	36	(1 ¹³ / ₃₂)

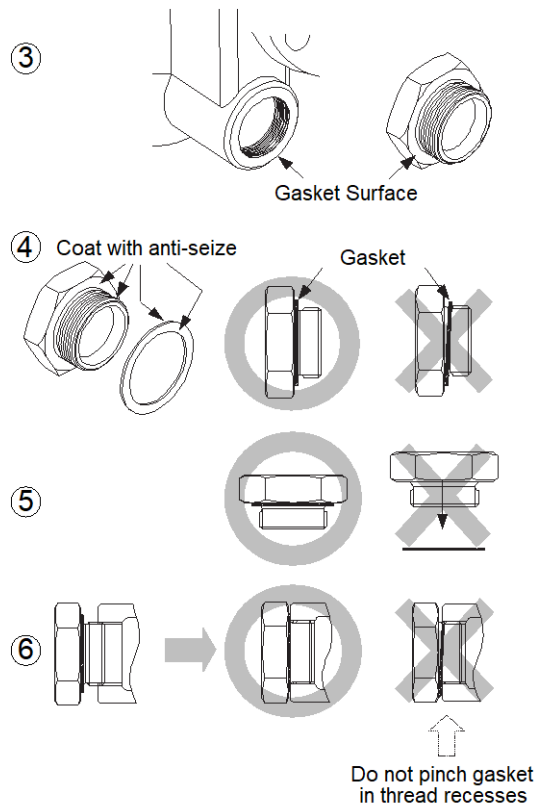
NOTE: - Coat all threaded portions with anti-seize. (1 N·m ≈ 10 kg·cm)
 - If drawings or other special documentation were supplied for the product, any torque given there takes precedence over values shown here.

Instructions for Plug/Holder Disassembly and Reassembly

The seal on the threaded plugs/holders found on TLV products is formed by a flat metal gasket. There are various installation orientations for the gaskets, such as horizontal, diagonal and downward, and the gasket may be pinched in the thread recesses during assembly.

Instructions for Disassembly and Reassembly

1. Remove the plug/holder using a tool of the specified size (distance across flats).
2. The gasket should not be reused. Be sure to replace it with a new gasket.
3. Clean the gasket surfaces of the plug/holder and the product body using a rag and/or cleaning agents, then check to make sure the surfaces are not scratched or deformed.
4. Coat both the gasket surface of the plug/holder and the threads of the plug/holder with anti-seize, then press the gasket onto the center of the gasket surface of the plug/holder, making sure the anti-seize affixes the gasket tightly to the plug/holder. Check to make sure the gasket is not caught in the recesses of the threads.
5. Hold the plug/holder upside down to make sure that the anti-seize makes the gasket stick to the plug/holder even when the plug/holder is held upside down.
6. Screw the plug/holder by hand into the product body while making sure that the gasket remains tightly affixed to the center of the gasket surface of the plug/holder. Make sure the entire gasket is making contact with the gasket surface of the product body. It is important at this point to make sure the gasket is not pinched in the thread recesses of the plug/holder.
7. Tighten the plug/holder to the proper torque.
8. Next, begin the supply of steam and check to make sure there is no leakage from the part just tightened. If there is leakage, immediately close the inlet valve and, if there is a bypass valve, take the necessary steps to release any residual pressure. After the surface of the product cools to room temperature, repeat the procedure beginning from step 1.



Troubleshooting



NEVER apply direct heat to the float. The float may explode due to increased internal pressure, causing accidents leading to serious injury or damage to property and equipment.



When disassembling or removing the product, wait until the internal pressure equals atmospheric pressure and the surface of the product has cooled to room temperature. Disassembling or removing the product when it is hot or under pressure may lead to discharge of fluids, causing burns, other injuries or damage.

If the product fails to operate properly, use the following table to locate the cause and remedy.

Problem	Cause	Remedy
No condensate is discharged (blocked) or discharge is poor	The float is damaged or filled with condensate	Replace with a new float
	There is no inflow of condensate	Inspect and correct the piping
	The orifice opening, screen or piping are clogged with rust and scale	Clean parts
	The trap operating pressure exceeds the maximum specified pressure or there is insufficient pressure differential between the trap inlet and outlet or there has been a drop in operating pressure	Compare specifications and actual operating conditions
	Air binding or steam locking has occurred	Operate the air vent valve, perform a bypass blowdown or close the trap inlet valve and allow the trap to cool
	The piston is damaged or the small holes in the piston have become enlarged	Replace with a new piston
	The piston has a build-up of sticky scale	Clean
Steam is discharged or leaks from the outlet (blowing) (steam leakage)	The cylinder is installed in an incorrect orientation	Reinstall the piston with the correct orientation
	The small holes in the piston have become clogged	Clean parts
	The main valve has a build-up of sticky scale	Clean
Steam is leaking from a place other than the outlet or exhaust	The main valve, cylinder or orifice is worn	Replace with new parts as required
	Gasket deterioration or damage	Replace with new gasket(s)
Float is frequently damaged	Improper tightening torques were used	Tighten to the proper torque
	Water hammer has occurred	Study and correct the piping

TLV EXPRESS LIMITED WARRANTY

Subject to the limitations set forth below, TLV CO., LTD., a Japanese corporation (“**TLV**”), warrants that products which are sold by it, TLV International Inc. (“**TII**”) or one of its group companies excluding TLV Corporation (a corporation of the United States of America), (hereinafter the “**Products**”) are designed and manufactured by TLV, conform to the specifications published by TLV for the corresponding part numbers (the “**Specifications**”) and are free from defective workmanship and materials. The party from whom the Products were purchased shall be known hereinafter as the “**Seller**”. With regard to products or components manufactured by unrelated third parties (the “**Components**”), TLV provides no warranty other than the warranty from the third party manufacturer(s), if any.

Exceptions to Warranty

This warranty does not cover defects or failures caused by:

1. improper shipping, installation, use, handling, etc., by persons other than TLV, TII or TLV group company personnel, or service representatives authorized by TLV; or
2. dirt, scale or rust, etc.; or
3. improper disassembly and reassembly, or inadequate inspection and maintenance by persons other than TLV or TLV group company personnel, or service representatives authorized by TLV; or
4. disasters or forces of nature or Acts of God; or
5. abuse, abnormal use, accidents or any other cause beyond the control of TLV, TII or TLV group companies; or
6. improper storage, maintenance or repair; or
7. operation of the Products not in accordance with instructions issued with the Products or with accepted industry practices; or
8. use for a purpose or in a manner for which the Products were not intended; or
9. use of the Products in a manner inconsistent with the Specifications; or
10. use of the Products with Hazardous Fluids (fluids other than steam, air, water, nitrogen, carbon dioxide and inert gases (helium, neon, argon, krypton, xenon and radon)); or
11. failure to follow the instructions contained in the TLV Instruction Manual for the Product.

Duration of Warranty

This warranty is effective for a period of one (1) year after delivery of Products to the first end user. Notwithstanding the foregoing, asserting a claim under this warranty must be brought within three (3) years after the date of delivery to the initial buyer if not sold initially to the first end user.

ANY IMPLIED WARRANTIES NOT NEGATED HEREBY WHICH MAY ARISE BY OPERATION OF LAW, INCLUDING THE IMPLIED WARRANTIES OF MERCHANTABILITY AND FITNESS FOR A PARTICULAR PURPOSE AND ANY EXPRESS WARRANTIES NOT NEGATED HEREBY, ARE GIVEN SOLELY TO THE INITIAL BUYER AND ARE LIMITED IN DURATION TO ONE (1) YEAR FROM THE DATE OF SHIPMENT BY THE SELLER.

Exclusive Remedy

THE EXCLUSIVE REMEDY UNDER THIS WARRANTY, UNDER ANY EXPRESS WARRANTY OR UNDER ANY IMPLIED WARRANTIES NOT NEGATED HEREBY (INCLUDING THE IMPLIED WARRANTIES OF MERCHANTABILITY AND FITNESS FOR A PARTICULAR PURPOSE), IS **REPLACEMENT**; PROVIDED: (a) THE CLAIMED DEFECT IS

REPORTED TO THE SELLER IN WRITING WITHIN THE WARRANTY PERIOD, INCLUDING A DETAILED WRITTEN DESCRIPTION OF THE CLAIMED DEFECT AND HOW AND WHEN THE CLAIMED DEFECTIVE PRODUCT WAS USED; AND (b) THE CLAIMED DEFECTIVE PRODUCT AND A COPY OF THE PURCHASE INVOICE IS RETURNED TO THE SELLER, FREIGHT AND TRANSPORTATION COSTS PREPAID, UNDER A RETURN MATERIAL AUTHORIZATION AND TRACKING NUMBER ISSUED BY THE SELLER. ALL LABOR COSTS, SHIPPING COSTS, AND TRANSPORTATION COSTS ASSOCIATED WITH THE RETURN OR REPLACEMENT OF THE CLAIMED DEFECTIVE PRODUCT ARE SOLELY THE RESPONSIBILITY OF BUYER OR THE FIRST END USER. THE SELLER RESERVES THE RIGHT TO INSPECT ON THE FIRST END USER'S SITE ANY PRODUCTS CLAIMED TO BE DEFECTIVE BEFORE ISSUING A RETURN MATERIAL AUTHORIZATION. SHOULD SUCH INSPECTION REVEAL, IN THE SELLER'S REASONABLE DISCRETION, THAT THE CLAIMED DEFECT IS NOT COVERED BY THIS WARRANTY, THE PARTY ASSERTING THIS WARRANTY SHALL PAY THE SELLER FOR THE TIME AND EXPENSES RELATED TO SUCH ON-SITE INSPECTION.

Exclusion of Consequential and Incidental Damages

IT IS SPECIFICALLY ACKNOWLEDGED THAT THIS WARRANTY, ANY OTHER EXPRESS WARRANTY NOT NEGATED HEREBY, AND ANY IMPLIED WARRANTY NOT NEGATED HEREBY, INCLUDING THE IMPLIED WARRANTIES OF MERCHANTABILITY AND FITNESS FOR A PARTICULAR PURPOSE, DO NOT COVER, AND NEITHER TLV, TII NOR ITS TLV GROUP COMPANIES WILL IN ANY EVENT BE LIABLE FOR, INCIDENTAL OR CONSEQUENTIAL DAMAGES, INCLUDING, BUT NOT LIMITED TO LOST PROFITS, THE COST OF DISASSEMBLY AND SHIPMENT OF THE DEFECTIVE PRODUCT, INJURY TO OTHER PROPERTY, DAMAGE TO BUYER'S OR THE FIRST END USER'S PRODUCT, DAMAGE TO BUYER'S OR THE FIRST END USER'S PROCESSES, LOSS OF USE, OR OTHER COMMERCIAL LOSSES. WHERE, DUE TO OPERATION OF LAW, CONSEQUENTIAL AND INCIDENTAL DAMAGES UNDER THIS WARRANTY, UNDER ANY OTHER EXPRESS WARRANTY NOT NEGATED HEREBY OR UNDER ANY IMPLIED WARRANTY NOT NEGATED HEREBY (INCLUDING THE IMPLIED WARRANTIES OF MERCHANTABILITY AND FITNESS FOR A PARTICULAR PURPOSE) CANNOT BE EXCLUDED, SUCH DAMAGES ARE EXPRESSLY LIMITED IN AMOUNT TO THE PURCHASE PRICE OF THE DEFECTIVE PRODUCT. THIS EXCLUSION OF CONSEQUENTIAL AND INCIDENTAL DAMAGES, AND THE PROVISION OF THIS WARRANTY LIMITING REMEDIES HEREUNDER TO REPLACEMENT, ARE INDEPENDENT PROVISIONS, AND ANY DETERMINATION THAT THE LIMITATION OF REMEDIES FAILS OF ITS ESSENTIAL PURPOSE OR ANY OTHER DETERMINATION THAT EITHER OF THE ABOVE REMEDIES IS UNENFORCEABLE, SHALL NOT BE CONSTRUED TO MAKE THE OTHER PROVISIONS UNENFORCEABLE.

Exclusion of Other Warranties

THIS WARRANTY IS IN LIEU OF ALL OTHER WARRANTIES, EXPRESS OR IMPLIED, AND ALL OTHER WARRANTIES, INCLUDING BUT NOT LIMITED TO THE IMPLIED WARRANTIES OF MERCHANTABILITY AND FITNESS FOR A PARTICULAR PURPOSE, ARE EXPRESSLY DISCLAIMED.

Severability

Any provision of this warranty which is invalid, prohibited or unenforceable in any jurisdiction shall, as to such jurisdiction, be ineffective to the extent of such invalidity, prohibition or unenforceability without invalidating the remaining provisions hereof, and any such invalidity, prohibition or unenforceability in any such jurisdiction shall not invalidate or render unenforceable such provision in any other jurisdiction.

Service

For Service or Technical Assistance: Contact your TLV representative or your regional TLV office.

In Europe:

TLV EURO ENGINEERING GmbH

Daimler-Benz-Straße 16-18, 74915 Waibstadt, **Germany**

Tel: [49]-(0)7263-9150-0
Fax: [49]-(0)7263-9150-50

TLV EURO ENGINEERING UK LTD.

Units 7 & 8, Furlong Business Park, Bishops Cleeve, Gloucestershire GL52 8TW, **U.K.**

Tel: [44]-(0)1242-227223
Fax: [44]-(0)1242-223077

TLV EURO ENGINEERING FRANCE SARL

Parc d'Ariane 2, bât. C, 290 rue Ferdinand Perrier, 69800 Saint Priest, **France**

Tel: [33]-(0)4-72482222
Fax: [33]-(0)4-72482220

In North America:

TLV CORPORATION

13901 South Lakes Drive, Charlotte, NC 28273-6790, **U.S.A.**

Tel: [1]-704-597-9070
Fax: [1]-704-583-1610

In Mexico and Latin America:

TLV ENGINEERING S. A. DE C.V.

Av. Jesús del Monte 39-B-1001, Col. Hda. de las Palmas, Huixquilucan, Edo. de México, 52763, **Mexico**

Tel: [52]-55-5359-7949
Fax: [52]-55-5359-7585

In Oceania:

TLV PTY LIMITED

Unit 8, 137-145 Rooks Road, Nunawading, Victoria 3131, **Australia**

Tel: [61]-(0)3-9873 5610
Fax: [61]-(0)3-9873 5010

In East Asia:

TLV PTE LTD

36 Kaki Bukit Place, #02-01/02, **Singapore** 416214

Tel: [65]-6747 4600
Fax: [65]-6742 0345

TLV SHANGHAI CO., LTD.

Room 5406, No. 103 Cao Bao Road, Shanghai, **China** 200233

Tel: [86]-(0)21-6482-8622
Fax: [86]-(0)21-6482-8623

TLV ENGINEERING SDN. BHD.

No.16, Jalan MJ14, Taman Industri Meranti Jaya, 47120 Puchong, Selangor, **Malaysia**

Tel: [60]-3-8065-2928
Fax: [60]-3-8065-2923

TLV PRIVATE LIMITED

252/94 (K-L) 17th Floor, Muang Thai-Phatra Complex Tower B, Rachadaphisek Road, Huaykwang, Bangkok 10310, **Thailand**

Tel: [66]-2-693-3799
Fax: [66]-2-693-3979

TLV INC.

#302-1 Bundang Technopark B, 723 Pangyo-ro, Bundang, Seongnam, Gyeonggi, 13511, **Korea**

Tel: [82]-(0)31-726-2105
Fax: [82]-(0)31-726-2195

In the Middle East:

TLV ENGINEERING FZCO

Building 2W, No. M002, PO Box 371684, Dubai Airport Free Zone, Dubai, **UAE**

Email: sales-me@tlv.co.jp

In Other Countries:

TLV INTERNATIONAL, INC.

881 Nagasuna, Noguchi, Kakogawa, Hyogo 675-8511, **Japan**

Tel: [81]-(0)79-427-1818
Fax: [81]-(0)79-425-1167

Manufacturer:

TLV CO., LTD.

881 Nagasuna, Noguchi, Kakogawa, Hyogo 675-8511, **Japan**

Tel: [81]-(0)79-422-1122
Fax: [81]-(0)79-422-0112