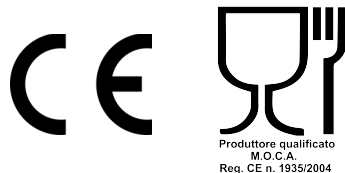
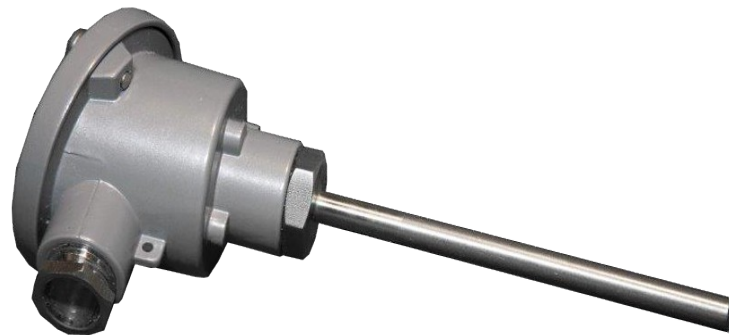




TEMPERATURE PROBE

(MOD. PT100)

Thermistor



The PT 100 temperature probe is the most robust form of RST sensor. It is a platinum resistance thermometer with nominal resistance defined according to IEC 751 (EN 60751) equal to 100 Ω at a temperature of 0 ° C.

A probe consists of a PT 100 element mounted inside a metal tube (AISI 316 stainless steel sheath), which protects the element from the environment. The connection head is used to connect the thermosensors and extension cables.

TECHNICAL FEATURES:

Standard model with 3-wire PT100 sensor

Sensor: platinum resistance thermometer type Pt 100 class B-DIN

Connection head: DIN in aluminum with epoxy paint

Field of use: -200 + 400 ° C

Electrical connections: on 3-wire terminal block and 1/2 "cable gland connection

Ceramic base: 3 terminals with twisted teflon wires

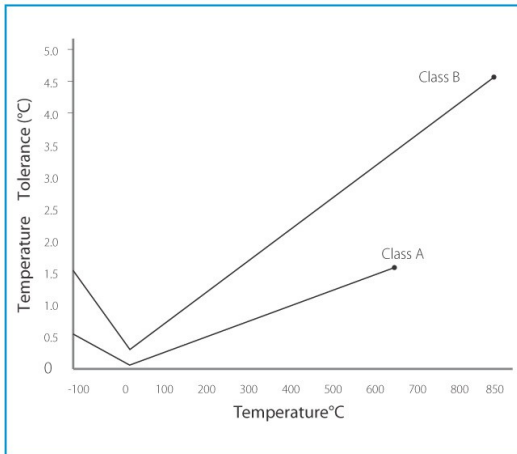
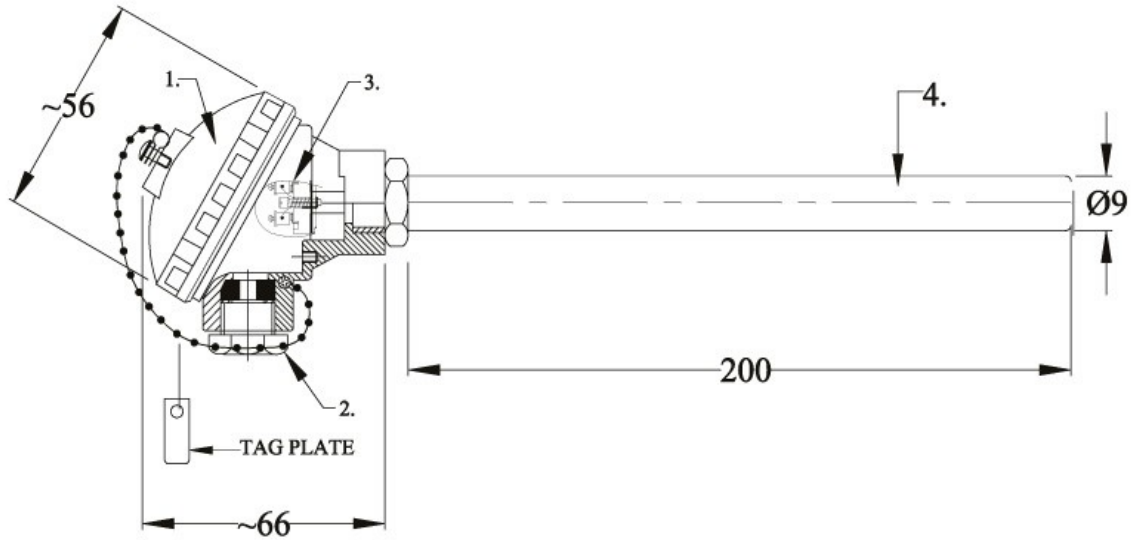
Shank: \varnothing 9 in AISI 316

Shank length: standard 100mm; 200mm (other sizes on request)

Electrical inlet: 1/2 "gas

Accuracy: 1%

Degree of protection: IP 65



TOLERANCE CHART

Temperature	Class A (±)	Class B (±)
-200°C	0.55°C	1.3°C
-100°C	0.35°C	0.8°C
0°C	0.15°C	0.3°C
100°C	0.35°C	0.8°C
200°C	0.55°C	1.3°C
300°C	0.75°C	1.8°C
400°C	0.95°C	2.3°C
500°C	1.15°C	2.8°C
600°C	1.35°C	3.3°C
700°C	-	3.8°C
800°C	-	4.3°C
850°C	-	4.6°C

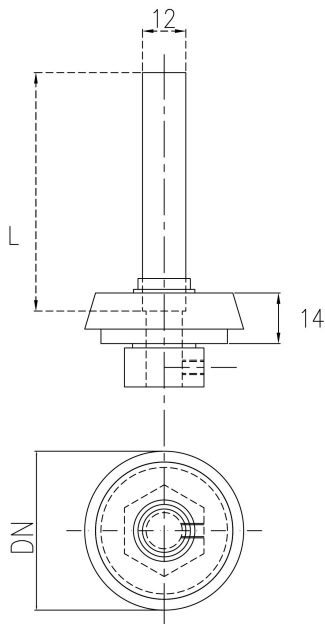


ATTACKS TO THE PROCESS:

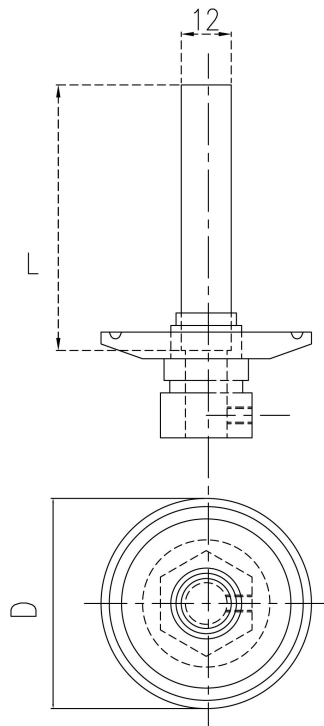
Theoretically it is possible to use a temperature probe without the aid of a thermowell exclusively where the operating pressure is low, the viscosity and the sliding speed are low. However, in order to replace the instrument during operation and to guarantee a long life span and to ensure better protection of the thermometer, the system and the environment, it is advisable to use a thermowell between the models available in the SABA range .



**POZZETTO
ESTRAIBILE
1/2" GAS**



THERMOWELL DIN 11851 DN



THERMOWELL CLAMP

D: 1 1/2" – 2" – 2 1/2"

15 – 25 – 40 - 50

Certificates:

Certification of materials

MOCA certification (material objects in contact with food)

Calibration certificate (list of measured single values; 5 measurement points)

Order information:

Scale field / Process connection / Parts / Certificates