





T-diaphragm valve with manually operated actuator

- Valve body and diaphragm are available in various materials and variants
- Product wetted surfaces in $Ra \leq 0.38 \mu\text{m} \dots 1.6 \mu\text{m}$ (optionally electropolished)
- Available in all common connection sizes and variants

Product variants described in the data sheet may differ from the product presentation and description.

Can be combined with

	Type 2034 Multifunction block and weld solution	▶
	Type 2031 2/2-way diaphragm valve with pneumatic plastic actuator (Type CLASSIC)	▶
	Type 2063 2/2 way diaphragm valve with pneumatic actuator in stainless steel (Type INOX)	▶
	Type 2036 Robolux multiway multiport diaphragm valve, pneumatically operated	▶
	Type 8036 Inline flowmeter with paddle wheel, ELEMENT design	▶

Type description

The manually operated diaphragm valve Type 3234 consists of a manually operated actuator, a diaphragm and a T-valve body. The manual actuator, optionally with a plastic or stainless steel handwheel, ensures use in hygienic or aggressive ambient conditions. The flow-efficient valve bodies with little dead space enable high flow rates and a wide range of possible uses. The valve body and the diaphragm are available in all common materials and variants. The actuator has a compact, autoclavable design and is compatible with all other Bürkert diaphragm valves. An explosion-proof ATEX/IECEX device variant is available.

The add-on body and the handwheel are optionally available in plastic or stainless steel and are equipped with an integrated optical position indicator. The manual actuator can be optionally equipped with a stroke limiter, sensors for position feedback and a locking function.

Table of contents

1. General technical data	3
2. Approvals	4
3. Materials	5
3.1. Chemical Resistance Chart – Bürkert resistApp.....	5
3.2. Material specifications	5
3.3. Example of available membrane materials	5
4. Dimensions	6
4.1. Actuator	6
Handwheel.....	6
4.2. T-Body with welded connection	7
4.3. T-Body with clamp connection	11
5. Performance specifications	12
5.1. Medium pressure	12
6. Ordering information	12
6.1. Bürkert eShop – Easy ordering and quick delivery.....	12
6.2. Bürkert product filter.....	12
6.3. Bürkert product enquiry form	12

1. General technical data

Product properties	
Dimensions	Detailed information can be found in chapter "4. Dimensions" on page 6.
Material^{1.)}	
Block body (VH) ^{1.)}	Stainless steel 1.4435/316 L
Block body (VI) ^{1.)}	Stainless steel 1.4435/BN2/ASME BPE; Fe < 0.5 %/C ≤ 0.03 %
Diaphragm	EPDM (AD) ^{1.)} , PTFE/EPDM (EA) ^{1.)} , advanced PTFE/EPDM (EU) ^{1.)} , Gylon®/EPDM laminated (ER) ^{1.)}
Actuator (actuator/handwheel) - Diaphragm size 8...50	PPS (Stainless steel on request)/PPS (Stainless steel on request)
Actuator (actuator/handwheel) - Diaphragm size 65...100	Stainless steel/Stainless steel
Diaphragm size	8...100
Standard surface quality^{2.)}	
Block body (VH/VI) ^{1.)}	Internal electrically polished : Ra ≤ 0.38 µm (NO17) ^{1.)} (ASME BPE SF4/DIN HE4) (external Ra ≤ 1.6 µm) Internal mechanically polished : Ra ≤ 0.5 µm (NO14) ^{1.)} (ASME BPE SF1) (external Ra ≤ 1.6 µm)
Medium data	
Operating medium	Neutral gases and fluids, highly purified, sterile, aggressive or abrasive medium (see Resistance Chart ▶)
Medium temperature	
EPDM (AD) ^{1.)}	-10...+143 °C (steam sterilisation + 150 °C for 60 min)
PTFE/EPDM (EA) ^{1.)}	-10...+130 °C (steam sterilisation + 140 °C for 60 min)
advanced PTFE/EPDM (EU) ^{1.)}	-5...+143 °C (steam sterilisation + 150 °C for 60 min)
GYLON®/EPDM laminated (ER) ^{1.)}	-5...+130 °C (steam sterilisation + 140 °C for 60 min)
Process/Port connection & communication	
Nominal diameter	DN06...DN100 (1/8" ... 4")
Port connections^{2.)}	
For stainless steel body^{2.)}	
Welded connection ^{2.)}	DIN EN ISO 1127/ISO 4200/DIN 11866 series B DIN 11850 series 2/DIN 11866 series A/DIN EN 10357 series A ASME BPE/DIN 11866 series C
Clamp connection ^{2.)}	DIN 32676 series A (DIN pipe) DIN 32676 series B (ISO pipe) ASME BPE
Environment and installation	
Installation position	See operating manual ▶
Ambient temperature: actuator (actuator/handwheel)	
PPS/PPS	0...+130 °C (short-term up to +150 °C)
Stainless steel/PPS	0...+130 °C (short-term up to +150 °C)
Stainless steel/Stainless steel	-10...+140 °C (short-term up to +150 °C)





1.) This information is part of the product key (see product enquiry form at the end of this data sheet)

2.) Further versions on request

2. Approvals

Note:

If you need one of these certificates, please contact your Bürkert partner.

Approvals/ Conformity/ Certificatee ^{1.)}	Description
	ATEX/IECEX^{2.)} EPS 18 ATEX 2 008 X II 2G Ex h IIC T4 Gb/II 2D Ex h IIIC T135 °C Db IECEX EPS 18.0007X Ex h IIC T4 Gb/Ex h IIIC T135 °C Db
TA-Air	TA-Air ^{3.)}
	3-A (3-A Sanitary Standards Symbol Administrative Council) ^{4.)}
	The diaphragms made of EPDM (AD), PTFE/EPDM (EA), advanced PTFE/EPDM (EU) and GYLON®/EPDM laminated (ER) are suitable for use with food and beverages (acc. to EC Regulation 1935/2004/EC).
	Diaphragms made of EPDM (AD), PTFE/EPDM (EA), advanced PTFE/EPDM (EU) and GYLON®/EPDM laminated (ER) are acc. to USP Class VI tested.
FDA	Diaphragms made of EPDM (AD), PTFE/EPDM (EA), advanced PTFE/EPDM (EU) and GYLON®/EPDM laminated (ER) comply with the Code of Federal Regulations published by the FDA (Food and Drug Administration, USA).

1.) Further approvals/conformity clarification on request

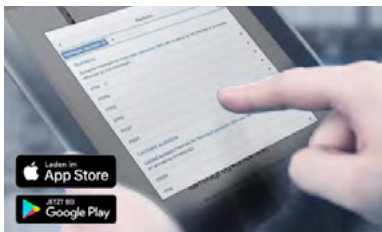
2.) Only in combination with variable code «PX51» (see product enquiry form at the end of this data sheet)

3.) Only in combination with variable code «PM01» (see product enquiry form at the end of this data sheet)

4.) Only in combination with variable code «PE05» (see product enquiry form at the end of this data sheet)

3. Materials

3.1. Chemical Resistance Chart – Bürkert resistApp



Bürkert resistApp – Chemical Resistance Chart

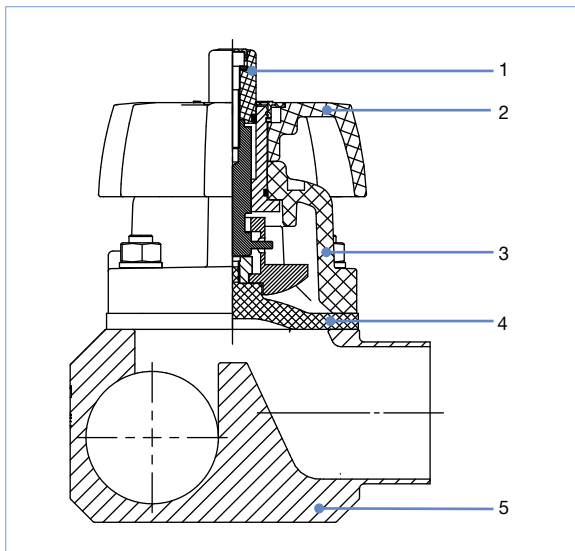
You want to ensure the reliability and durability of the materials in your individual application case? Verify your combination of media and materials on our website or in our resistApp.

[Start Chemical Resistance Check](#)

3.2. Material specifications

Note:

Your product variant may differ from this illustration depending on the housing and interface options.



No.	Element	Material
1	Optical position indicator	Diaphragm size 15...50: polyoxymethylene Diaphragm size 65...100: stainless steel
2	Handwheel	Diaphragm size 8...50: polyphenylene sulphide PPS (stainless steel on request) Diaphragm size 65...100: stainless steel
3	Actuator	Diaphragm size 8...50: polyphenylene sulphide PPS (stainless steel on request) Diaphragm size 65...100: stainless steel
4	Diaphragm	EPDM (AD), PTFE/EPDM (EA), advanced PTFE/EPDM (EU), Gylon®/EPDM laminated (ER)
5	Valve body	See "1. General technical data" on page 3

3.3. Example of available membrane materials

The diaphragms have been developed to meet the unique challenges of hygienic and sterile requirements. Bürkert offers diaphragms with precise material composition and high accuracy. Bürkert diaphragms are available in a wide range of materials which have been tested and proven in applications in the food and beverage, biotechnology, pharmaceutical and cosmetics industries. The diaphragms are tested during development and production to ensure reliability under difficult process conditions.



- EPDM (AD)
- PTFE/EPDM (EA)
- advanced PTFE/EPDM (EU)
- Gylon®/EPDM laminated (ER)

For further information please refer to our flyer "Diaphragm competence for hygienic applications" on our [website](#) ▶.

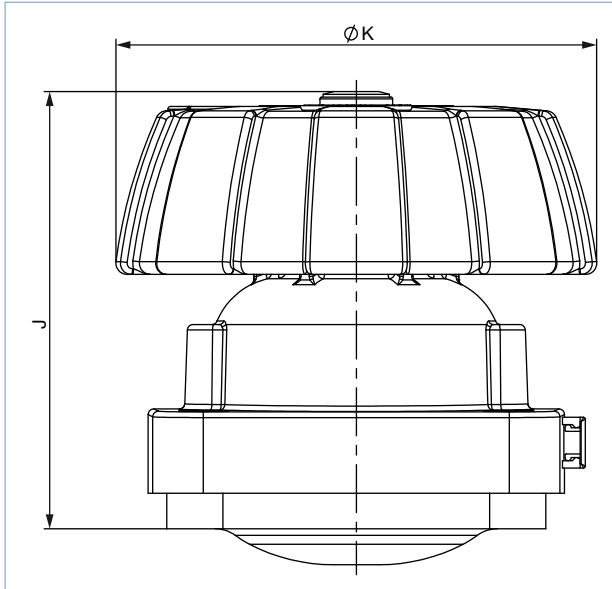
4. Dimensions

4.1. Actuator

Handwheel

Note:

Dimensions in mm, unless otherwise stated

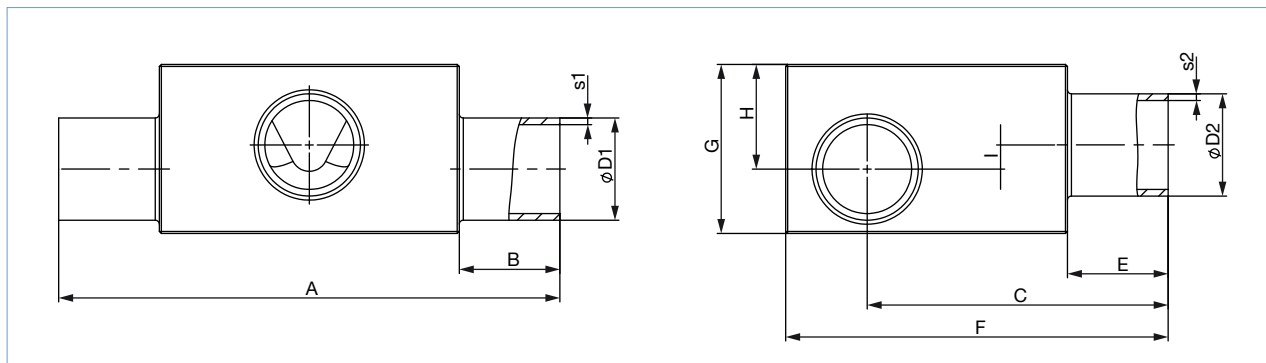


Diaphragm size	ØK	J
8	35	48
15	85	74
20	86	82
25	86	78
32	114	101
40	114	100
50	114	117
65	272	188
80	272	196
100	272	207

4.2. T-Body with welded connection

Note:

Dimensions in mm, unless otherwise stated



Dia-phragm size	Port 1 - Port 2 DN	ØD1	s1	ØD2	s2	A	B	C	E	F	G	H	I	Product key ^{1.)} (Port 1 - Port 2)		
DIN EN ISO 1127/ISO 4200/DIN 11866 series B																
8	8...8	13.5	1.6	13.5	1.6	78.0	20	47.2	20	60	24	15	5.0	SA40-SA40		
	10...8	17.2		13.5		78.0		49.00		60	29	18	8.0	SA41-SA40		
	10...10	17.2		17.2		78.0		49.00		60	29	18	8.0	SA41-SA41		
	15...8	21.3		13.5		78.0		51.1		64	34	21	11.0	SA42-SA40		
	15...10	21.3		17.2		78.0		51.1		64	34	21	11.0	SA42-SA41		
	20...8	26.9		13.5		88.0		25		88.0	53.9	70	38	23	13.0	SA43-SA40
	20...10	26.9		17.2		88.0				53.9	70	38	23	13.0	SA43-SA41	
	25...8	33.7		2.0		13.5				88.0	53.9	76	45	26	16.0	SA44-SA40
	25...10	33.7				17.2				88.0	53.9	76	45	26	16.0	SA44-SA41
	32...8	42.4				13.5		88.0		60.50	84	52	29	19.0	SA45-SA40	
	32...10	42.4	17.2		88.0	61.20	84	52	29	19.0	SA45-SA41					
	40...8	48.3	13.5		88.0	64.2	90	57	31	21.0	SA46-SA40					
	40...10	48.3	17.2		88.0	64.2	90	57	31	20.0	SA46-SA41					
	50...8	60.3	13.5		98.0	30	98.0	70.2	102	66	34	24.0	SA47-SA40			
	50...10	60.3	17.2		98.0		70.2	102	66	34	24.0	SA47-SA41				
	65...8	76.1	13.5		98.0		78.1	118	80	40	30.0	SA48-SA40				
	80...8	88.9	2.3		13.5		98.0	84.2	131	92	46	36.0	SA49-SA40			
	80...10	88.9		17.2	98.0	84.2	131	92	46	35.0	SA49-SA41					

Dia-phragm size	Port 1 - Port 2 DN	ØD1	s1	ØD2	s2	A	B	C	E	F	G	H	I	Product key ¹⁾ (Port 1 - Port 2)
15	8...8	13.5	1.6	13.5	1.6	93.0	20	52.05	20	70	27	17	4.5	SA40-SA40
	10...8	17.2		13.5		93.0		53.9		70	31	18	4.5	SA41-SA40
	10...10	17.2		17.2		93.0		54.9		70	28	16	2.5	SA41-SA41
	15...8	21.3		13.5		93.0		57		71	34.5	21	7.5	SA42-SA40
	15...15	21.3		21.3		93.0		56		71	35	21	6.5	SA42-SA42
	20...8	26.9		13.5		103.0	25	59.8		76	41	25	11.5	SA43-SA40
	20...10	26.9		17.2		103.0		59.8		78	42	25	11.5	SA43-SA41
	20...15	26.9		21.3		103.0		59.8		78	42	25	11.5	SA43-SA42
	25...10	33.7	2.0	17.2		103.0		63		83	48	28	14.5	SA44-SA41
	25...15	33.7		21.3		103.0		62.8		83	47	28	14.5	SA44-SA42
	32...8	42.4		13.5		103.0		67.1		91	56	32	18.5	SA45-SA40
	32...10	42.4		17.2		103.0		67.1		91	56	32	18.5	SA45-SA41
	32...15	42.4		21.3		103.0		67.1		91	56	32	18.5	SA45-SA42
	40...8	48.3		13.5		103.0		70.1		97	63	35	21.5	SA46-SA40
	40...10	48.3		17.2		103.0		70.1		97	63	35	21.5	SA46-SA41
	40...15	48.3		21.3		103.0		70.1		97	63	35	21.5	SA46-SA42
	50...8	60.3		13.5		113.0	30	76.1		109	72	38	24.5	SA47-SA40
	50...10	60.3		17.2		113.0		76.1		109	72	38	24.5	SA47-SA41
	50...15	60.3		21.3		113.0		76.1		109	72	38	24.5	SA47-SA42
	65...8	76.1		13.5		113.0		84		125	85	44	30.5	SA48-SA40
	65...15	76.1		21.3		113.0		84		125	85	44	30.5	SA48-SA42
	80...8	88.9	2.3	13.5		113.0		90.1		140	99	52	38.5	SA49-SA40
	80...10	88.9		17.2		113.0		90.1		137	94	47	33.5	SA49-SA41
	80...15	88.9		21.3		113.0		90.1		137	94	47	33.5	SA49-SA42
100...15	114.3		21.3		113.0		102.8		163	120	60	46.5	SA39-SA42	
20	20...20	26.9	1.6	26.9	1.6	114.0	25	70.3	25	87	40	24	6.0	SA43-SA43
	25...20	33.7	2.0	26.9		114.0		73.3		94	48	28	10.0	SA44-SA43
	32...20	42.4		26.9		114.0		78.6		102	57	33	15.0	SA45-SA43
	40...20	48.3		26.9		114.0		80.6		108	63	35	17.0	SA46-SA43
	50...20	60.3		26.9		124.0	30	87		120.8	72	39	21.0	SA47-SA43
	65...20	76.1		26.9		124.0		94.5		136	86	45	27.0	SA48-SA43
	80...20	88.9	2.3	26.9		124.0		100.6		148	94	47	29.0	SA49-SA43
	100...20	114.3		26.9		124.0		113.3		173	120	60	42.0	SA39-SA43
25	25...25	33.7	2.0	33.7	2.0	124.5	25	78.6	25	98	53	33	13.0	SA44-SA44
	32...25	42.4		33.7		124.5		82.9		107	62	38	18.0	SA45-SA44
	40...25	48.3		33.7		124.5		85.9		114	69	41	21.0	SA46-SA44
	50...25	60.3		33.7		134.5	30	81.9		125	78	45	25.0	SA47-SA44
	65...25	76.1		33.7		134.5		99.8		142	94	52	32.0	SA48-SA44
	80...25	88.9	2.3	33.7		134.5		105.9		153	101	54	34.0	SA49-SA44
	150...25	168.3	2.6	33.7		134.5		145.3		232	174	87	67.0	SA69-SA44
40	32...32	42.4	2.0	42.4	2.0	152.0	25	98.00	25	122	62	38	9.4	SA45-SA45
	40...32	48.3		42.4		152.0		100		128	68	41	12.4	SA46-SA45
	40...40	48.3		48.3		152.0		100		128	68	41	12.4	SA46-SA46
	50...32	60.3		42.4		162.0	30	106		140	82	48	19.4	SA47-SA45
	50...40	60.3		48.3		162.0		106		140	82	48	19.4	SA47-SA46
	65...40	76.1		48.3		162.0		113.9		155	97	55	26.4	SA48-SA46
	80...32	88.9	2.3	42.4		162.0		120		168	108	60	31.4	SA49-SA45
	80...40	88.9		48.3		162.0		120		168	108	60	31.4	SA49-SA46
	100...32	114.3		42.4		162.0		132.7		193	129	68	39.4	SA39-SA45
	100...40	114.3		48.3		162.0		132.7		193	129	68	39.4	SA39-SA46
	50	50...50	60.3	2.0	60.3	2.0	188.0	30	120.2	30	154	82	48	12.5
65...50		76.1		60.3		188.0		128.1		170	100	56	20.5	SA48-SA47
80...50		88.9	2.3	60.3		188.0		134.2		183	110	61	25.5	SA49-SA47
100...50		114.3		60.3		188.0		146.9		208	131	70	34.5	SA39-SA47
150...50		168.3	2.6	60.3		188.0		173.6		261	176	88	52.5	SA69-SA47

Dia-phragm size	Port 1 - Port 2 DN	ØD1	s1	ØD2	s2	A	B	C	E	F	G	H	I	Product key ¹⁾ (Port 1 - Port 2)
DIN 11850 series 2/DIN 11866 series A/DIN EN 10357 series A														
8	10...10	13.0	1.5	13.0	1.5	78.0	20	47.0	20	60	24	15	5.0	SD40-SD40
	20...10	23.0		13.0		88.0	25	52.0		66	36	22	12.0	SD43-SD40
15	15...15	19.0	1.5	19.0	1.5	93.0	20	55.9	20	70	33	20	6.5	SD42-SD42
	20...15	23.0		19.0		103.0		57.9		72	37	22.5	9	SD43-SD42
	25...15	29.0		19.0		103.0	25	60.9		78	43	26	12.5	SD44-SD42
	32...15	35.0		19.0		103.0		63.9		84	49	29	15.5	SD45-SD42
	40...15	41.0		19.0		103.0		66.9		91	56	31	17.5	SD46-SD42
	50...15	53.0		19.0		113.0	30	72.9		102	65	36	22.5	SD47-SD42
20	20...20	23.0	1.5	23.0	1.5	114.0	25	68.7	25	85	36	21	–	SD43-SD43
	32...20	35.0		23.0		114.0		74.4		95	50	29	11.0	SD45-SD43
	40...20	41.0		23.0		114.0		77.4		101	56	32	14.0	SD46-SD43
25	25...25	29.0	1.5	29.0	1.5	124.5	25	76.7	25	98	48	30	10.0	SD44-SD44
	40...25	41.0		29.0		124.5		82.7		106	61	38	18.0	SD46-SD44
	50...25	53.0		29.0		134.5	30	88.7		120	73	44	24.0	SD47-SD44
40	32...32	35.0	1.5	35.0	1.5	152.0	25	95	25	119	52	32	9	SD45-SD45
	40...40	41.0		41.0		152.0		97.3		121	62	37	8.4	SD46-SD46
	50...40	53.0		41.0		162.0	30	102.8		133	75	45	16.4	SD47-SD46
50	50...50	53.0	1.5	53.0	1.5	188.0	30	117.0	30	147	74	44	8.5	SD47-SD47
ASME BPE/DIN 11866 series C														
8	20...8	19.05	1.65	6.35	0.89	88.0	25	49.90	20	61	32	20	10.0	SA93-SA90
	25...10	25.40		9.53		88.0	25	53.00		68	38	23	13.0	SODF-SA91
	40...8	38.10		6.35		88.0	25	59.40		80	49	28	18.0	SODH-SA90
	50...8	50.80		6.35		98.0	30	65.80		93	59	32	22.0	SODI-SA90
	65...8	63.50		6.35		98.0		72.10		106	70	36	26.0	SODJ-SA90
15	15...15	12.70	1.65	12.70	1.65	93.0	20	53.20	20	70	27	13.5	–	SA92-SA92
	20...15	19.05		12.70		103.0		55.80		70	31	18.5	5.0	SA93-SA92
	25...15	25.40		12.70		103.0		59.00		75	40	24	10.5	SODF-SA92
	40...15	38.10		12.70		103.0	25	65.30		88	54	31	17.5	SODH-SA92
	50...15	50.80		12.70		113.0	30	71.70		100	64	35	21.5	SODI-SA92
	65...15	63.50		12.70		113.0		78.00		113	73	38	24.5	SODJ-SA92
	80...15	76.20		12.70		113.0		84.40		125	84	43	29.5	SODK-SA92
	100...15	101.60	2.11	19.05		124		107.10		161	108	54	36.0	SODL-SA93
20	20...20	19.05	1.65	19.05	1.65	114	25	66.30	25	85	36	18	–	SA93-SA93
	25...20	25.40		19.05		114		69.20		88	40	24	6.0	SODF-SA93
	40...20	38.10		19.05		114		75.80		98	53	31	13.0	SODH-SA93
	50...20	50.80		19.05		124	30	82.20		111	66	37	19.0	SODI-SA93
	65...20	63.50		19.05		124		88.50		123	75	40	22.0	SODJ-SA93
	80...20	76.20		19.05		124		94.90		136	85	44	26.0	SODK-SA93
	100...20	101.60	2.11	19.05		124		107.10		161	108	54	36.0	SODL-SA93
	120...20	127.00	2.11	19.05		124		107.10		161	108	54	36.0	SODL-SA93
25	25...25	25.40	1.65	25.40	1.65	124.5	25	74.8	25	95	42	26	6.0	SODF-SODF
	40...25	38.10		25.40		124.5		81.1		103	58	36	16.0	SODH-SODF
	50...25	50.80		25.40		134.5	30	87.5		120	75	44	24.0	SODI-SODF
	65...25	63.50		25.40		134.5		93.8		129	82	47	27.0	SODJ-SODF
	80...25	76.20		25.40		134.5		100.15		142	94	52	32.0	SODK-SODF
40	40...40	38.10	1.65	38.10	1.65	152.0	25	99.60	25	121	58	35	6.4	SODH-SODH
	50...40	50.80		38.10		162.0	30	101.6		131	72	43	14.4	SODI-SODH
	65...40	63.50		38.10		162.0		107.90		143	85	50	21.4	SODJ-SODH
	80...40	76.20		38.10		162.0		114.3		156	98	56	27.4	SODK-SODH
50	50...50	50.80	1.65	50.80	1.65	188.0	30	115.8	30	145	71	42	6.5	SODI-SODI
	65...50	63.50		50.80		188.0		122.10		157	85	50	14.5	SODJ-SODI
	65...65	63.50		63.50		188.0		122.10		158	86	50	14.5	SODJ-SODJ
	80...50	76.20		50.80		188.0		128.5		169	98	56	20.5	SODK-SODI
	100...65	101.60	2.11	63.50		188.0		140.7		195	120	66	30.5	SODL-SODJ

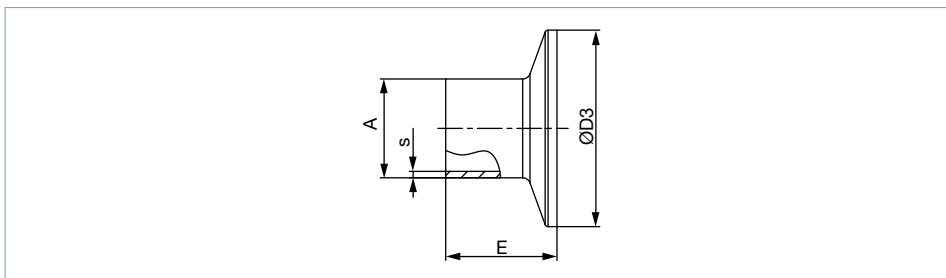
Dia-phragm size	Port 1 - Port 2 DN	ØD1	s1	ØD2	s2	A	B	C	E	F	G	H	I	Product key ^{1.)} (Port 1 - Port 2)			
SMS 3008																	
25	25...25	25.0	1.2	25.0	1.2	124.5	25	75.0	25	95	43	27	7.0	SA60-SA60			
	40...25	38.0		25.0		124.5		81.5		103				58	36	16.0	SA62-SA60
	50...25	51.0	25.0	134.5	30	88.0	118	72	42	22.0	SA63-SA60						
40	40...40	38.0	1.2	38.0	1.2	152.0	25	95.6	25	121	58	35	6.4	SA62-SA62			
	50...40	51.0		38.0		162.0		30		102.1				131	73	44	15.4
50	50...50	51.0	1.2	51.0	1.2	188.0	30	120.2	30	154	82	48	2.5	SA63-SA63			
DIN 11850 series 0																	
8	04...04	6.0	1.0	6.0	1.0	78.0	20	44.0	20	60	15	6.5	0.0	SC40-SC40			
	06...06	8.0		8.0		75.0		17.5		46.5				60	13	7	0.0
	40...04	40.0	1.5	6.0	1.5	88.0	25	60.5	25	83	51	29	19.0	SC47-SC40			
	40...8	40.0		10.0		88.0		60.5		83				51	29	19.0	SC47-SC42
	50...04	52.0		6.0		98.0		30		66.5				95	60	32	22.0
15	50...15	52.0	1.5	18.0	1.5	113.0	30	72.4	20	101	65	36	22.5	SC48-SC43			
25	25...25	28.0	1.5	28.0	1.5	124.5	25	76.2	25	95	46	29	9.0	SC45-SC45			
	50...25	52.0		28.0		134.5		30		91.2				120	71	42	22.0
40	25...32	28.0	1.5	34.0	1.5	152.0	25	90.3	25	122	58	32	3.4	SC45-SC46			
	50...32	52.0		34.0		162.0		30		102.3				132	75	45	16.4
50	50...50	52.0	1.5	52.0	1.5	188.0	30	116.5	30	147	73	43	7.5	SC48-SC48			

1.) This information is part of the product key (see product enquiry form at the end of this data sheet)

4.3. T-Body with clamp connection

Note:

Clamp dimensions must be added to the welded connection dimensions



Port connection		A	s	D3	E	Product key ^{1.)}
[mm]	[inch]					
DIN 32676 series A (DIN pipe)						
10	–	13	1.5	34.0	18	TD41
15	–	19	1.5	34.0	18	TD42
20	–	23	1.5	34.0	18	TD43
25	–	29	1.5	50.5	21.5	TD44
32	–	35	1.5	50.5	21.5	TD45
40	–	41	1.5	50.5	21.5	TD46
50	–	53	1.5	64.0	21.5	TD47
DIN 32676 series B (ISO pipe)						
8	–	13.5	1.6	25.0	28.6	TC40
8	–	13.5	1.6	34.0 ^{2.)}	28.6	TC51 ^{2.)}
10	–	17.2	1.6	34.0 ^{2.)}	28.6	TC41 ^{2.)}
15	–	21.3	1.6	34.0 ^{2.)}	28.6	TC42 ^{2.)}
15	–	21.3	1.6	50.5	28.6	TC52
20	–	26.9	1.6	50.5	28.6	TC43
25	–	33.7	2	50.5	28.6	TC44
32	–	42.4	2	50.5 ^{2.)}	28.6	TC45 ^{2.)}
40	–	48.3	2	64.0	28.6	TC46
50	–	60.3	2	77.5	28.6	TC47
ASME BPE						
8	1/4"	6.35	0.89	25.0	28.6	TG50
10	3/8"	9.53	0.89	25.0	28.6	TG01
15	1/2"	12.7	1.65	25.0	28.6	TG02
20	3/4"	19.05	1.65	25.0	28.6	TG03
25	1"	25.4	1.65	50.5	28.6	TG04
40	1 1/2"	38.1	1.65	50.5	28.6	TG05
50	2"	50.8	1.65	64.0	28.6	TG06

1.) This information is part of the product key (see product enquiry form at the end of this data sheet)

2.) Deviating from the standard, because of different clamp outer diameter.

5. Performance specifications

5.1. Medium pressure

Diaphragm size	Actuator material	Max. operating pressure for seal material
		EPDM; PTFE/EPDM, advanced PTFE/EPDM, GYLON®/EPDM laminated
DN		Max. [bar]
8...80	Stainless steel/Stainless steel	10
100	Stainless steel/Stainless steel	6
8...50	Stainless steel/PPS	10
8...40	PPS/PPS	10
50	PPS/PPS	7

6. Ordering information

6.1. Bürkert eShop – Easy ordering and quick delivery



Bürkert eShop – Easy ordering and fast delivery

You want to find your desired Bürkert product or spare part quickly and order directly? Our online shop is available for you 24/7. Sign up and enjoy all the benefits.

[Order online now](#)

6.2. Bürkert product filter



Bürkert product filter – Get quickly to the right product

You want to select products comfortably based on your technical requirements? Use the Bürkert product filter and find suitable articles for your application quickly and easily.

[Try out our product filter](#)

6.3. Bürkert product enquiry form

Bürkert product enquiry form: Would you like to make a specific product enquiry based on your technical requirements? Please use our product enquiry form **at the end of this data sheet**. There you will find all the information relevant to your Bürkert contact person that will help us to process your enquiry in the best possible way.

Bürkert specification key: In our product enquiry form you will find a complete explanation of the composition of our specification key. You will find our product enquiry form **at the end of this data sheet**.

Bürkert – Close to You

For up-to-date addresses
please visit us at
www.burkert.com

DTS 1000450619 EN Version: C Status: RL (released | freigegeben | validé) printed: 15.03.2022



Product Enquiry Form
Diaphragm valve with straight
way valve, T-valve or tank bottom
valve



Product Enquiry Form - Diaphragm valve with globe valve, T-valve or
tank bottom valve

Thank you for your interest in our products! In order to provide you with optimum advice, please fill out the following form and send it to your **Bürkert representative** or e-mail address: info@burkert.com. All information submitted will of course be kept strictly confidential.

Please fill in the **required fields!** *

***Note:** The interactive functions of this PDF may be restricted depending on the PDF reader used.

Personal Information			
Company		Contact person	
Customer no.		Department	
Street		Postcode / Town	
Telephone no.		Email	

Delivery
Required delivery date

Operating data					
Process medium					
Medium	Liquid	Steam	Gas	CIP	SIP
Medium temperature	T _{med}				
Medium pressure	P _{med}				

Valve data				
Surface quality (valid for stainless steel)	Standard:	Ra 0.5 internal	Ra 0.38 e-pol internal	Plastic
	Non standard:	internal	external	
Body material				
Body design	2 way valve	T-valve	Tank bottom valve	
Seal material	EPDM	PTFE	GYLON®	others
Nominal diameter	DN			
Pilot pressure	min.		max.	
Connection	Weld end	EN ISO 1127 / ISO 4200 DIN 11866 R. B	DIN 11850 DIN 11866 R. A	ASME BPE DIN 11866 R. C
	Clamp connection	DIN 32676 R. B (ISO tube (ISO4200))	DIN 32676 R. A (DIN tube (DIN11850))	ASME BPE
	Plastic	Flange	Threated	Spigot
	Others			

Article no. (if known)
Are you interested in ordering a complete Valve System Open/Close or Continuous? For more information on Valve Systems Open/Close or Continuous, please visit our Website ►.

Additional Requirements / Comment

DTS 1000450619 EN Version: C Status: RL (released | freigegeben | valide) printed: 15.03.2022

Specification key

Note:





- Please fill out this Product Inquiry Form as completely as possible!
- For more information on Valve Systems Open/Close or Continuous, please visit our **Website** ►.
- See **Specification key - Examples** how to fill in the specification key.





Key Feature	Quantity	Type	Control function	Nominal diameter diaphragm	Diaphragm material	Body material	Port connection	Port connection	Actuator version	Actuator size	Pilot air port	Actuator	Variable	Variable	Variable	
		TYP	SF	DN	DWST	WKST	LTA1	LTA2	ANTA	ANTG	STLA	ANTR	* VAR1	VAR2	VAR3	
Key No. →		1	2	3	4	5	6	6	7	8	9	10	V1	V2	V3	
1 Selection →													*			
	Comments															
2 Selection →													*			
	Comments															
3 Selection →													*			
	Comments															
4 Selection →													*			
	Comments															
5 Selection →													*			
	Comments															
6 Selection →													*			
	Comments															

DTS 1000450619 EN Version: C Status: RL (released | freigegeben | valide) printed: 15.03.2022

Specification key - Examples

2 way diaphragm valve					
Type 2030 ▶ CLASSIC with plastic body 	Type 2031 ▶ CLASSIC with stainless steel body 	Type 2063 ▶ INOX with stainless steel body 	Type 2103 ▶ ELEMENT with stainless steel or plastic body 	Type 3232 ▶ Manually operated with plastic body 	Type 3233 ▶ Manually operated with stainless steel body 

T-diaphragm valve			
Type 2032 ▶ CLASSIC T-valve 	Type 2064 ▶ INOX T-valve 	Type 2104 ▶ ELEMENT T-valve 	Type 3234 ▶ Manually operated T-valve 

Tank bottom diaphragm valve			
Type 2033 ▶ CLASSIC Tank bottom valve 	Type 2065 ▶ INOX Tank bottom valve 	Type 2105 ▶ ELEMENT Tank bottom valve 	Type 3235 ▶ Manually operated tank bottom valve 

	Type	Control function	Nominal diameter diaphragm	Diaphragm material	Body material	Port connection	Port connection	Actuator version	Actuator size	Pilot air port	Actuator	Variable	Variable	Variable
Key Feature	TYP	SF	DN	DWST	WKST	LTA1	LTA2	ANTA	ANTG	STLA	ANTR	VAR1	VAR2	VAR3
Key No. →	1	2	3	4	5	6	6	7	8	9	10	V1	V2	V3

2 way diaphragm valve														
Type 2030 CLASSIC	2030	A	20.0	AD	PV	KM26	-	C	E	-	-			
Type 2031 CLASSIC	2031	A	20.0	AD	VS	SA93	-	C	E	-	-	NK52	NO14	
Type 2063 INOX	2063	A	20.0	AD	VS	SA93	-	H	M	-	-	NK52	NO14	
Type 2103 ELEMENT	2103	A	20.0	AD	PV	KM26	-	G	M	FA01	-			
Type 2103 ELEMENT	2103	A	20.0	AD	VS	SA93	-	G	M	FA01	-	NK52	NO14	
Type 3232	3232	-	20.0	AD	PV	KM26	-	-	-	-	D050			
Type 3233	3233	-	20.0	AD	VS	SA93	-	-	-	-	D051	NK52	NO14	
T-diaphragm valve														
Type 2032 CLASSIC	2032	A	20.0	AD	VH	SODH	SA93	D	E	-	-	NK52	NO14	
Type 2064 INOX	2064	A	20.0	AD	VH	SODH	SA93	-	M	-	-	NK52	NO14	
Type 2104 ELEMENT	2104	A	20.0	AD	VH	SODH	SA93	-	M	FA01	-	NK52	NO14	
Type 3234	3234	-	20.0	AD	VH	SODH	SA93	-	-	-	D050	NK52	NO14	
Tank bottom diaphragm valve														
Type 2033 CLASSIC	2033	A	20.0	AD	VH	SA93	-	D	F	-	-	NK52	NO14	
Type 2065 INOX	2065	A	20.0	AD	VH	SA93	-	-	M	-	-	NK52	NO14	
Type 2105 ELEMENT	2105	A	20.0	AD	VH	SA93	-	-	M	FA01	-	NK52	NO14	
Type 3235	3235	-	20.0	AD	VH	SA93	-	-	-	-	D050	NK52	NO14	

1.) NK52, NOxx only for stainless steel bodies

DTS 1000450619 EN Version: C Status: RL (released | freigegeben | valide) printed: 15.03.2022

Key Legend

Note:

- Other versions on request
- Available Type sizes see corresponding data sheet

Key no. 2: Control function (SF)	
A	Closed with spring force
B	Open with spring force
I	Without pressure spring

Key no. 3: Nominal diameter diaphragm (DN)			
8	25	50	100
15	32	65	
20	40	80	

Key no. 4: Diaphragm material (DWST)	
AD	EPDM
EA	PTFE/EPDM
EU	Advanced PTFE/EPDM laminated
ER	Gylon®/EPDM laminated

Key no. 5: Body material (WKST)	
PD	PVDF (Polyvinylidene fluoride)
PP	PP (Polypropylene)
PV	PVC-U (Polyvinyl chloride)
VG	Stainless steel precision casting 1.4435/316L
VH	Stainless steel block material 1.4435/316L
VI	Stainless steel block material 1.4435 BN2/316L ASME BPE
VP	Stainless steel tube 1.4435 BN2/316L
VS	Stainless steel-forged 1.4435 BN2/316L ASME BPE

Key no. 6: Port connection (LTA1, LTA2)	
Listed in detail below	

Key no. 7: Actuator version (ANTA)	
C	PA actuator (only CLASSIC)
D	PPS actuator (only CLASSIC)
G	ELEMENT design actuator (only ELEMENT)
H	St. St. actuator (only INOX)

Key no. 8: Actuator size (ANTG)	
B	ø 32
C	ø 40
D	ø 50
E	ø 63
F	ø 80
G	ø 100
H	ø 125
K	ø 175
L	ø 225
M	ø 70
N	ø 90
P	ø 130

Key no. 9: Pilot air port (ELEMENT) (STLA)	
FA01	Pilot air port Push-In 6/4, 1/4"
FA02	Pilot air port G1/8
FA03	Interface ELEMENT control

Key no. 10: Actuator (ANTR)	
D050	Handwheel and attachment PPS
D051 ^{1.)}	Handwheel PPS and attachment St. St.
D052 ^{2.)}	Handwheel and attachment St. St.

1.) Alternatively D058

2.) Alternatively D059 or D102

Key no. V1, V2, ...: Variable code (VAR1, VAR2, VAR3)	
NK52 ^{3.)}	Acceptance test certificate 3.1 according to EN 10204
NO14 ^{3.)}	Mechanically polished Ra ≤ 0.5 µm (ASME BPE SF1)
NO17 ^{3.)}	Electropolished Ra ≤ 0.38 µm (ASME BPE SF4 / DIN HE4)
NO06 ^{3.)}	Mechanically polished Ra ≤ 0.76 µm (ASME BPE SF3 / DIN H2)
NO16 ^{3.)}	Electropolished Ra ≤ 0.6 µm (ASME BPE SF6)
EC04	Reduced spring force

3.) NK52, NOxx only for stainless steel bodies

Key no. 6: Port connection (LTA)

Weld connection								
DN [mm]	EN ISO 1127 / ISO 4200 DIN 11866 R. B	SMS 3008	DIN 11850 R. 0	DIN 11850 R. 1	DIN 11850 R. 2 DIN 11866 R. A	DIN 11850 R. 3	BS4825	ASME BPE DIN 11866 R. C
4	-	-	SC40-6.0x1.0	-	-	-	-	-
6	SA78-10.2x1.6	-	SC41-8.0x1.0	-	-	-	-	SA89-3.17x0.56
8	SA40-13.5x1.6	-	SC42-10.0x1.0	-	-	-	SODB-6.35x1.2	SA90-6.35x0.89
10	SA41-17.2x1.6	-	-	SF40-12.0x1.0	SD40-13.0x1.5	SE40-14.0x2.0	SODC-9.53x1.2	SA91-9.53x0.89
15	SA42-21.3x1.6	SA58-12.0x1.0	SC43-18.0x1.5	SF41-18.0x1.0	SD42-19.0x1.5	SE42-20.0x2.0	SODD-12.7x1.2	SA92-12.7x1.65
20	SA43-26.9x1.6	SA59-18.0x1.0	SC44-22.0x1.5	SF42-22.0x1.0	SD43-23.0x1.5	SE43-24.0x2.0	SODE-19.05x1.2	SA93-19.05x1.65
25	SA44-33.7x2.0	SA60-25.0x1.2	SC45-28.0x1.5	SF43-28.0x1.0	SD44-29.0x1.5	SE44-30.0x2.0	-	SODF-25.4x1.65
32	SA45-42.4x2.0	SA61-33.7x1.2	SC46-34.0x1.5	SF44-34.0x1.0	SD45-35.0x1.5	SE45-36.0x2.0	-	-
40	SA46-48.3x2.0	SA62-38.0x1.2	SC47-40.0x1.5	SF45-40.0x1.0	SD46-41.0x1.5	SE46-42.0x2.0	-	SODH-38.1x1.65
50	SA47-60.3x2.0	SA63-51.0x1.2	SC48-52.0x1.5	SF46-52.0x1.0	SD47-53.0x1.5	SE47-54.0x2.0	-	SODI-50.8x1.65
65	SA48-76.1x2.0	SA64-63.5x1.6	-	-	SD48-70.0x2.0	-	-	SODJ-63.5x1.65
80	SA49-88.9x2.3	SA65-76.1x1.6	-	-	SD49-85.0x2.0	-	-	SODK-76.2x1.65
100	SA39-114.3x2.3	SA66-101.6x2.0	-	-	SD50-104.0x2.0	-	-	SODL-101.6x2.11

Product Enquiry Form
Diaphragm valve with straight
way valve, T-valve or tank bottom
valve



Clamp connection					
DN [mm]	Clamp 34,0 similar to DIN 32676 R. B (ISO tube (ISO4200))	DIN 32676 R. A (DIN tube (DIN11850))	DIN 32676 R. B (ISO tube (ISO4200))	ASME BPE	BS 4825 (Clamp BS 4825-3, tube BS 4825-1)
8	TC51-13.5×1.6 Cl: 34.0	TD40-10.0×1.0 Cl: 25.0	TC40-13.5×1.6 Cl: 25.0	TG 50-6.35×0.89 Cl: 25.0	-
10	TC41-17.2×1.6 Cl: 34.0	TD41-13.0×1.5 Cl: 34.0	TC53-17.2×1.6 Cl: 25.0	TG 01-9.53×0.89 Cl: 25.0	-
15	TC42-21.3×1.6 Cl: 34.0	TD42-19,0×1.5 Cl: 34.0	TC52-21.3×1.6 Cl: 50.5	TG 02-12.7×1.65 Cl: 25.0	TH42-12.7×1.2 Cl: 25.0
20	-	TD43-23.0×1.5 Cl: 34.0	TC43-26.9×1.6 Cl: 50.5	TG 03-19.05×1.65 Cl: 25.0	TH43-19.05×1.2 Cl: 25.0
25	-	TD44-29.0×1.5 Cl: 50.5	TC44-33.7×2.0 Cl: 50.5	TG 04-25.4×1.65 Cl: 50.5	-
32	-	-	-	-	-
40	-	TD46-41.0×1.5 Cl: 50.5	TC46-48.3×2.0 Cl: 64.0	TG 05-38.1×1.65 Cl: 50.5	-
50	-	TD47-53.0×1.5 Cl: 64.0	TC47-60.3×2.0 Cl: 77.5	TG 06-50.8×1.65 Cl: 64.0	-
65	-	-	TC48-76.1×2.0 Cl: 91.0	TG 07-63.5×1.65 Cl: 77.5	-
80	-	-	TC49-88.9×2.3 Cl: 106.0	TG 08-76.2x,65 Cl: 91.0	-
100	-	-	TC50-114.3×2.3 Cl: 130.0	TG 09-101.6×2.11 Cl: 119.0	-

Plastic connection					
DN [mm]	Welded connection socket (only WKST=PD, PP)	Welded connection threaded socket (only WKST=PD, PP)	Adhesive bond socket (only WKST=PV)	Adhesive bond threaded socket (only WKST=PV)	Loose-type flange (up to DN65) Fixed flange (from DN80)
15	SS25 - ø20	SM25 - ø20	KS25 - ø20	KM25 - ø20	FL24
20	SS26 - ø25	SM26 - ø25	KS26 - ø25	KM26 - ø25	FL25
25	SS27 - ø32	SM27 - ø32	KS27 - ø32	KM27 - ø32	FL26
32	SS28 - ø40	SM28 - ø40	KS28 - ø40	KM28 - ø40	FL27
40	SS29 - ø50	SM29 - ø50	KS29 - ø50	KM29 - ø50	FL28
50	SS30 - ø63	SM30 - ø63	KS30 - ø63	KM30 - ø63	FL29
65	-	-	-	-	FL30
80	-	-	-	-	FF31
100	-	-	-	-	FF32

DTS 1000450619 EN Version: C Status: RL (released | freigegeben | valide) printed: 15.03.2022