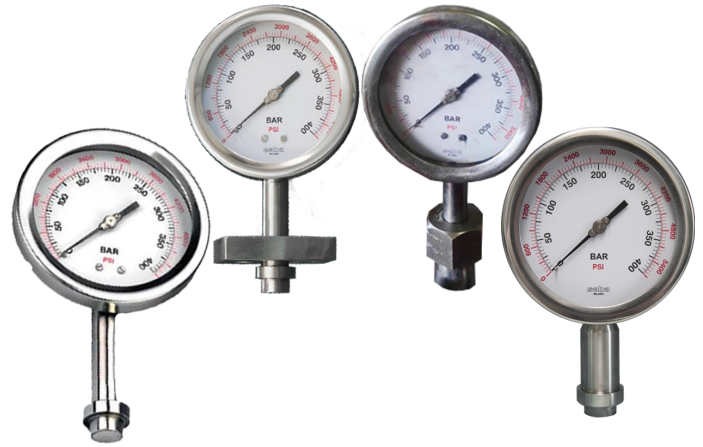




PRESSURE GAUGE SAS 24

(MOD. SA 24)

Pressure gauge for homogenizer



These instruments are designed for use on homogenizers for the food and pharmaceutical industry. Cushioned as standard, with internal shock absorber against pressure shocks, they are able to withstand high pressures repeatedly. The interstices-free construction and the degree of finish guarantee maximum hygiene.

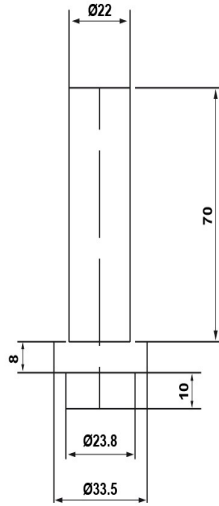
TECHNICAL FEATURES:

- Measuring range:** double scale 0-400 bar or 5000 PSI
- Watertight casing:** Ø 130 - 150 mm stainless steel
- Dial:** white with double scale: black gradation for bars and reds for PSI
- Index:** in black aluminum with micrometric zeroing device
- Connection:** radial membrane, specifically see below (1,2,3,4)
- Amplifier movement:** in stainless steel
- Case:** stainless steel with glass, with gasket
- Working pressure:** max 75% of the full scale value
- Accuracy:** 1% of the full scale value
- Degree of protection:** IP 65
- Filling liquid:** mineral oil for food use
- Welding:** in TIG
- Tubular spring:** spiral in stainless steel
- Operating temperature:** max 100 ° C
- Reference standard:** EN 837.1.

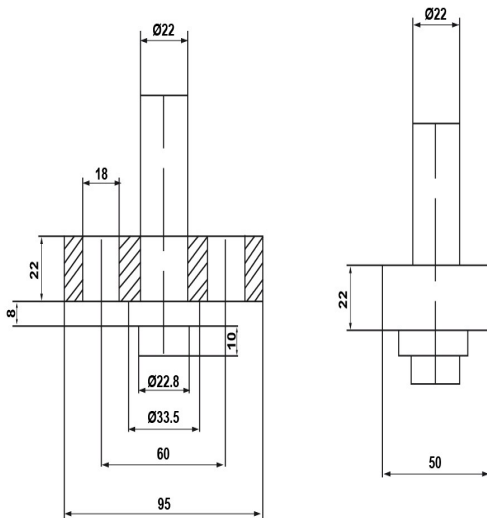


SABA builds these pressure gauges with separator, with different types of connections:

1) Smooth shank with diaphragm seal AISI 316 of Ø 23.8 mm

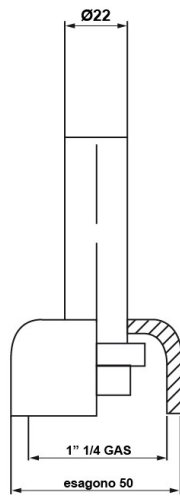


2) With rectangular plate

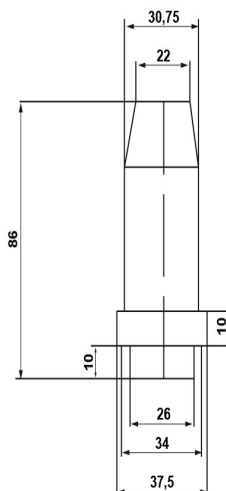




3) With 1" 1/4 gas nut and AISI 316 diaphragm separator; Ø 23.8



4) Smooth shank with diaphragm separator AISI 316 of Ø 26 m.





INDOOR

Certificates:

- Declaration of conformity
- Certification of materials
- MOCA certification (material objects in contact with food – on request)
- Pressure gauge certification: ATEX (on request)
- Pressure gauge calibration certificate (list of measured single values; 5 measurement points)

Order information:

Scale range / Process connection (1,2,3,4) / Case diameter / Parts / Certificates