



FLOW METER SA 91 TE (MOD. SA 91 TE)

Electronic flow meter and liter counter



This instrument has been designed to measure the instantaneous and total flow of fluids, approved for use in areas with danger of explosion. It allows instant reading of the product flow rate in l/h , reading of the totalization of the product flowed from a certain instant in liters or in hectoliters, the setting of the threshold in liters or hectoliters of the product to be measured, the sum of the partial counts of the fluid product.

The flowmeter has two contacts and a 4-20 mA signal output.

The measurable flow rate values range from fractions of m^3/h to $50 m^3$, with measurement accuracy that can reach up to 1% of the full scale value. The sensitivity of the instrument is also very high: it is possible to measure a flow rate equal to 1/10 of the nominal one.



TECHNICAL FEATURES:

The instrument must be mounted in a vertical position. The direction of the fluid is from the bottom upwards.

Parts in contact with the fluid: AISI 316

Indicator housing: AISI 304

Degree of seal of the indicator housing: IP 65

Connections according to food standards: DIN - SMS - CLAMP - GAS - Flanged PN 10- PN 16 - UNI 2223

Measuring range: 1-10

Accuracy: 1% f.sc.

Operating temperature: The fluid to be measured may have temperatures between -10 and + 300 ° C

Power supply: 24Vdc ± 5%

Ripple: max 3%

Protection: polarity reversal

Output: 4-20 mA, the 4 mA corresponds to the zero of flow and the 20 mA to the max measurable flow

Max output load: 800 Ω

Output protection: short circuit

Indicator: 6-digit 7-segment red LEDs

Warranty: on cone and float 5 years

Watertight housing: Ø 150 mm

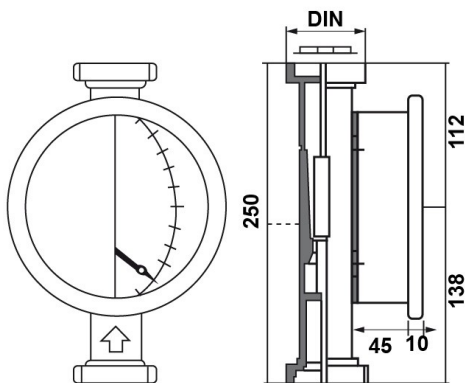
Description of operation: Display seven red segments with six digits indicating: F = flow (liters / hour), L = volume (in liters or hectoliters), t = Total of counts (instant flow or totalization).

SELECT button (left): activates the function / display change.

SET-RESET key (right): selects the operation or change of values.

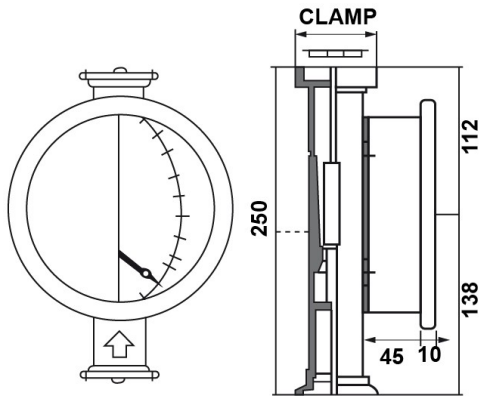
Power supply: 24 Vdc.

Output: 4-20 mA.



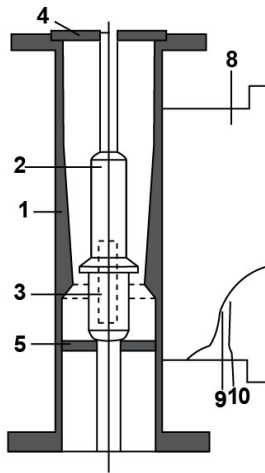
DN	l/h RANGE FROM	TO
25	100	1.000
	200	2.000
40	200	2.000
	300	3.000
50	500	5.000
	800	8.000
65	2.000	16.000
	2.500	25.000
80	5.000	50.000

DIN



CLAMP	l/h RANGE FROM	TO
1" 1/2	100	1.000
	200	2.000
2"	200	2.000
	300	3.000
	500	5.000
2" 1/2	800	8.000
	2.000	16.000
3"	2.500	25.000
4"	5.000	50.000

CLAMP



1	Meter's body
2	Float
3	Magnet
4	Upper guide
5	Lower guide
8	Indicator's cover
9	Indicating scale
10	Indicating point

INSIDE

Certificates:

Certification of materials

MOCA certification (material objects in contact with food - upon request)

Pressure gauge calibration certificate (list of measured single values; 5 measurement points)

Order informations:

Range / Process connection / Pipe size / Parts / Product specific weight / Certificates