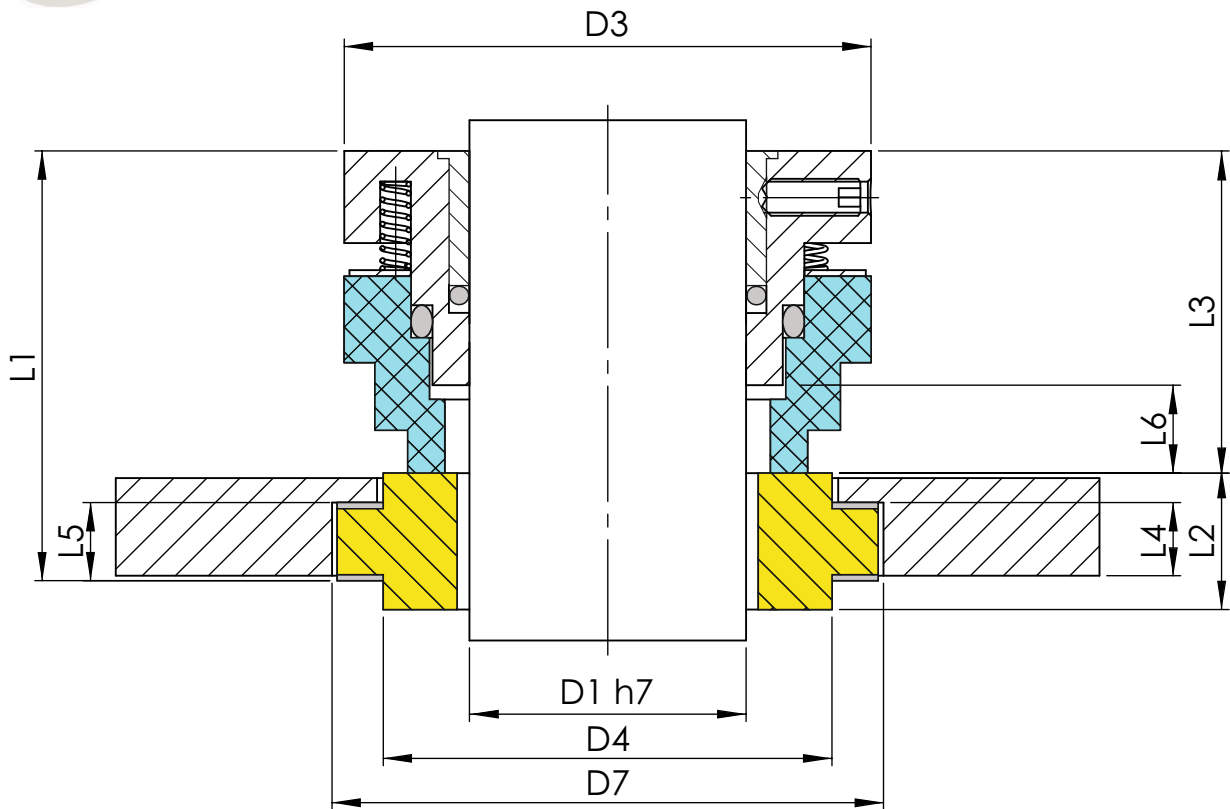
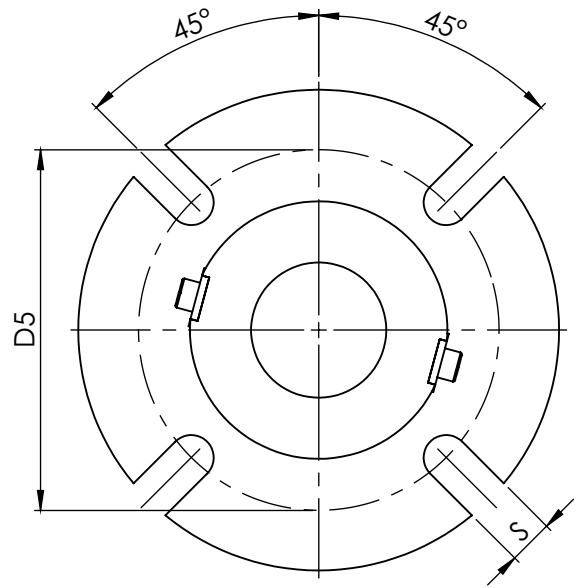
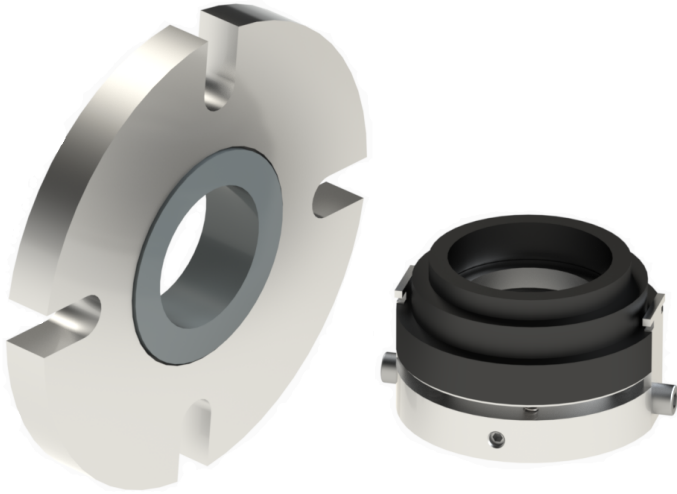
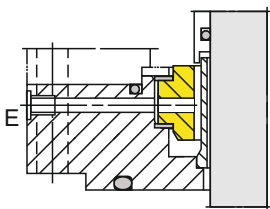


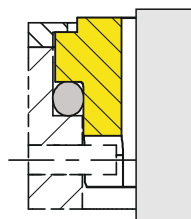
Dry running seal
 Balanced
 Outside mounted
 Independent of rotation
 Massive seal rings
 FDA - compliant



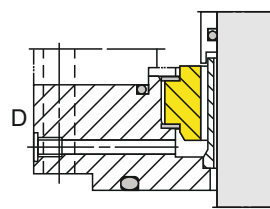
Options, for other stationary solution



with flush

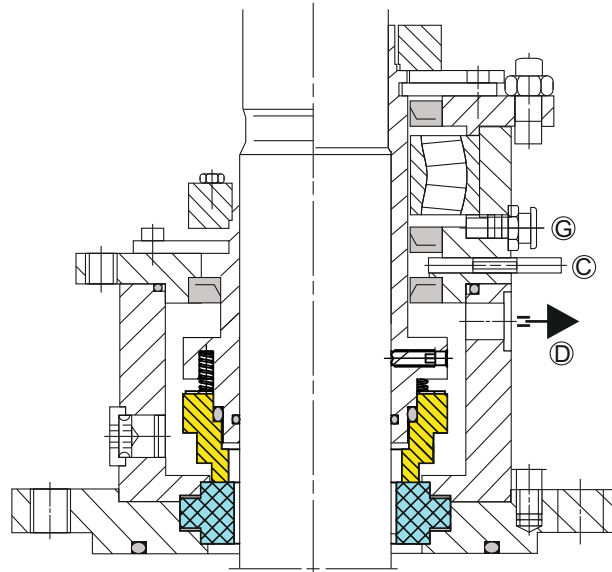


UFLCL Version



Leakage drain, can be used alternatively as a flush.

Cartridge RW7XC/L



Materials:

Rotary: B, C (FDA - compliant)

Stationary: Q1, V

Rubber parts: P, E, V, K, M, T

Operating limits:

(look at working conditions page 112)

$p \leq$ Vakuum	6bar
$t =$	$-20 \div 150^\circ\text{C}$ (250°C)
$v \leq$	0..2 m/s

D1	D3	D4	D7	D5 min	D5 max	S	L1	L2	L3	L4	L5	L6
25	63.5	47.6	57.9	100	132	11	69.0	20.6	52.4	12.7	11.9	14.3
28	66.6	50.8	61.1	100	132	11	69.0	20.6	52.4	12.7	11.9	14.3
30	69.8	53.9	67.5	100	132	11	69.9	20.6	52.4	12.7	11.9	14.3
32	69.8	53.9	67.5	105	137	11	69.9	20.6	52.4	12.7	11.9	14.3
33	73.0	57.1	70.6	105	137	11	69.9	22.2	52.4	12.7	11.9	14.3
35	73.0	57.1	70.6	105	137	11	69.9	22.2	52.4	12.7	11.9	14.3
38	76.2	63.5	77.0	110	142	11	69.9	22.2	52.4	12.7	11.9	14.3
40	79.3	66.6	80.2	115	152	11	69.9	22.2	52.4	12.7	11.9	14.3
43	82.5	69.8	83.3	115	152	11	69.9	22.2	52.4	12.7	11.9	14.3
45	85.7	73	89.7	115	152	11	69.9	22.2	52.4	12.7	11.9	14.3
50	88.9	79.3	96.0	125	160	14	73.0	25.4	52.4	15.9	15.1	14.3
53	92.0	82.5	99.2	125	160	14	73.0	25.4	52.4	15.9	15.1	14.3
55	95.2	85.7	102.4	130	165	14	73.0	25.4	52.4	15.9	15.1	14.3
58	98.4	88.9	105.6	130	170	14	73.0	25.4	52.4	15.9	15.1	14.3
60	98.4	88.9	105.6	135	175	14	73.0	25.4	52.4	15.9	15.1	14.3
63	101.6	92.0	108.7	135	175	14	73.0	25.4	52.4	15.9	15.1	14.3
65	104.7	95.2	111.9	140	175	14	73.0	25.4	52.4	15.9	15.1	14.3
68	107.9	98.4	115.1	140	180	14	73.0	25.4	52.4	15.9	15.1	14.3
70	107.9	98.4	115.1	145	180	14	73.0	25.4	52.4	15.9	15.1	14.3
75	114.3	103.2	119.8	150	190	14	73.0	25.4	52.4	15.9	15.1	14.3
80	120.6	111.1	127.8	155	195	14	73.0	25.4	52.4	15.9	15.1	14.3
85	123.8	114.3	131.0	160	200	14	73.0	25.4	52.4	15.9	15.1	14.3
90	130.2	120.6	137.3	165	205	14	73.0	25.4	52.4	15.9	15.1	14.3
95	133.3	123.8	140.5	170	210	14	73.0	25.4	52.4	15.9	15.1	14.3
100	139.7	133.3	150.0	175	215	14	73.0	25.4	52.4	15.9	15.1	14.3
105	142.9	136.5	153.2	180	220	14	73.0	25.4	52.4	15.9	15.1	14.3
110	149.2	142.8	159.5	185	243	18	73.0	25.4	52.4	15.9	15.1	14.3
115	155.5	149.2	165.9	196	253	18	73.0	25.4	52.4	15.9	15.1	14.3
120	158.7	152.4	169.1	196	253	18	73.0	25.4	52.4	15.9	15.1	14.3
125	165.1	158.7	175.4	206	273	18	73.0	25.4	52.4	15.9	15.1	14.3
130	168.2	168.2	184.9	206	273	18	73.0	25.4	52.4	15.9	15.1	14.3
135	174.6	174.6	191.3	206	273	18	73.0	25.4	52.4	15.9	15.1	14.3
140	180.9	180.9	197.6	221	273	18	73.0	25.4	52.4	15.9	15.1	14.3
145	184.1	184.1	200.8	221	273	18	73.0	25.4	52.4	15.9	15.1	14.3
150	190.5	190.5	207.2	231	283	18	73.0	25.4	52.4	15.9	15.1	14.3
155	193.6	193.6	210.3	241	293	18	73.0	25.4	52.4	15.9	15.1	14.3
160	200.0	200.0	216.7	241	293	18	73.0	25.4	52.4	15.9	15.1	14.3
165	203.2	203.2	219.9	241	293	18	73.0	25.4	52.4	15.9	15.1	14.3
170	209.5	209.5	226.2	241	293	18	73.0	25.4	52.4	15.9	15.1	14.3
175	215.9	215.9	232.6	241	293	18	73.0	25.4	52.4	15.9	15.1	14.3