



2/2-way solenoid valve
NC - Valve normally closed (as standard)
NO - Valve normally open (as option)

Pilot operated piston valve
The mentioned minimum pressure difference between inlet and outlet is necessary for proper operation.
In standard (NC) the valve closes with spring power.

■ **Solenoid valve for high pressure applications**

TECHNICAL SPECIFICATIONS

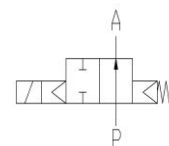
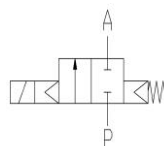
Type of control	Pilot operated, differential pressure necessary
Design	Piston design
Connection	Sleeve connection G1/4 - G1/2 DIN ISO 228/1 (BSP) <small>Further connections like NPT on request</small>
Installation	Preferable with actuator upright
Pressure	1 - 100 bar (see table on page 2)
Medium	Clean, neutral gaseous and liquid media
max. viscosity	22 mm ² /s
Temperature range	Medium: -40 °C / +80 °C Environment: -40 °C / +50 °C <small>Taking into account other influencing parameters</small>
Body material	St. steel 1.4581
Metallic inner parts	St. steel
Sealing	PTFE
Supply voltage	AC~ 24V, 110V, 230V DC= 12V, 24V <small>Other supply voltages on request</small>
Voltage tolerance	-10% / +10%
Power consumption	.012 = 18 Watt .148 = 10 Watt ⚠ .802 = 24 Watt .808 = 24 Watt ⚠
Protection class	IP65 according to DIN 60529
Duty factor	100% ED-VDE 0580
Connection type	Device plug DIN 43650
Ex-proof	acc. to 2014/34/EU (ATEX)

VALVE FEATURES

- For high pressure applications up to 100 bar
- Pressure difference is required
- High life time
- Simple compact valve design
- High-quality materials
- Reliable and sturdy sealing elements

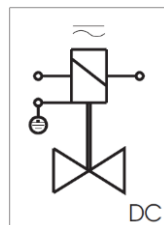
FUNCTION

NC – non energized closed NO – non-energized open

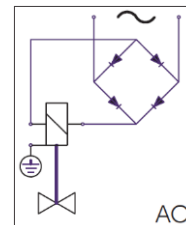


CONNECTION DIAGRAM

For AC/DC coils



For DC coils w/ integr. rectifier



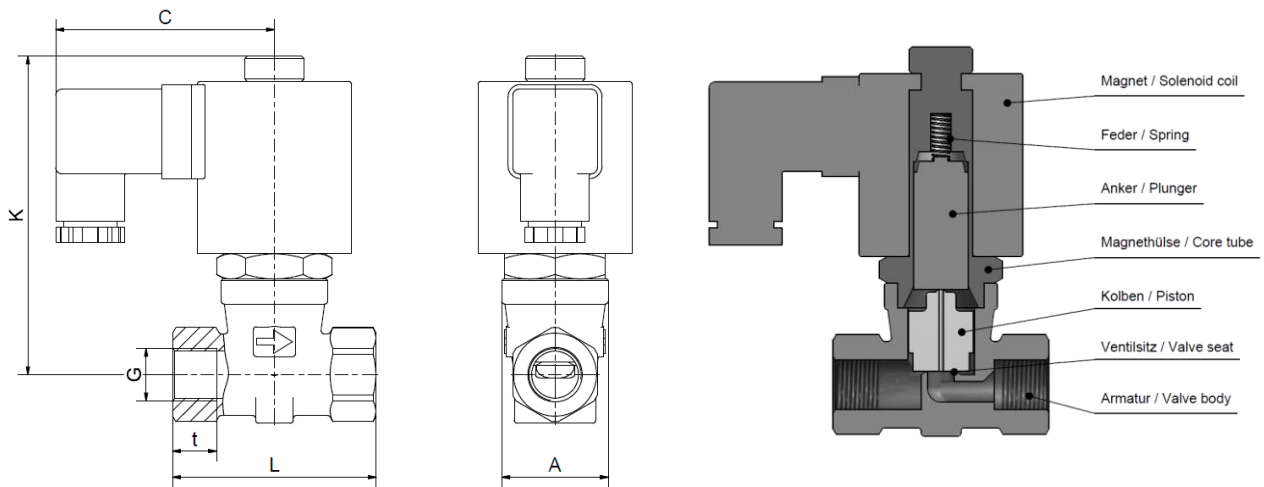
CERTIFICATES



TECHNICAL FEATURES

G	Seat Ø mm	Kv-value m³/h	Standard type	max. pressure for coils			max. pressure for coils ATEX		
				.012	.802	.802-NO	.148	.808	.808-NO
1/4	8,0	1,0	.4621/0804/	5-80	1-100	1-70	5-60	1-100	1-70
3/8	8,0	1,2	.4622/0804/	5-80	1-100	1-70	5-60	1-100	1-70
1/2	8,0	2,0	.4623/0804/	5-80	1-100	1-70	5-60	1-100	1-70

DIMENSIONS



Coil	.012 / .148*			.802 / .808*		
Type	4621	4622	4623	4621	4622	4623
G	1/4	3/8	1/2	1/4	3/8	1/2
A	34	34	34	34	34	34
C	61	61	61	70	70	70
K	91	91	91	102	102	102
L	65	65	65	65	65	65
t	14	14	14	14	14	14
kg	0,7	0,65	0,6	1,2	1,15	1,1

*Differing dimension "C" for ATEX coils

INFORMATION

- It is imperative to observe the installation and safety instructions in our operating and service manuals.
- Required ordering information: valve type, function NC/NO, pressure range, connection, nominal width, medium, flow rate, medium and ambient temperatures, connection voltage.
- **For information on the heating and performance of solenoid coils, refer to the corresponding "Coils" data sheet.**
- **Detailed production-specific drawings and other technical information will be made available when an order is placed.**

PLEASE NOTE

Each individual application decides which valve type is required, the main factor being the resistance of the materials to the operating medium. The correct selection of materials requires knowledge of the concentration, temperature and degree of contamination of the medium. Other criteria include the operating pressure and max. volumetric flow, since, in addition to high temperatures, high pressures and high flow rates must also be taken into account when selecting the materials.

All materials used for our valves, be it housing, seals or magnets, will be carefully selected in view of the different application areas. Any information given is non-binding and serves for orientation only. No claims under warranty can be derived therefrom.

ORDERING CODE

Type	Connection		Body	Sealing		Coil			Option	
. 46	2 3	/	0 8	0 4	/	.	8 0	2	-	X X
21	G 1/4		08	St. steel 1.4581		01	24 VA / 18,5 W	2		Standard IP65
22	G 3/8					14	8,5 VA / 10 W	8		2014/34/EU (ATEX)
23	G 1/2		04	PTFE		80	24 W			
										NO normally open

The GSR logo is a registered trademark of GSR Ventiltechnik GmbH & Co. KG

Note: All texts and images are the property of GSR Ventiltechnik GmbH & Co. KG and must not be replicated or modified, not even in part, without written approval

Original products may differ from the product images shown, due to different materials and the like

Subject to error and changes

GSR Ventiltechnik
GmbH & Co. KG
Im Meisenfeld 1
D-32602 Vlotho
T +49 5228 779-0
info@ventiltechnik.de
www.ventiltechnik.de