



DIGITAL THERMOMETER

(MOD. TLCD)

Electronic thermometer



These instruments have been designed for temperature measurement. The sectors of greatest use are the food and dairy industry (wine / milk / oil / juice storage tanks, industrial beer / milk plants, cheese production tanks), pharmaceuticals and chemicals. The battery is powered with a guaranteed duration for long periods.

TECHNICAL FEATURES:

Measurement range: -40 + 70 ° C; 0 + 100 ° C.

Resolution: 0.1 ° C.

Accuracy: ± 0.4 ° C.

Case diameter: 80 mm.

Bulb diameter: 9 mm.

Material: AISI 304 stainless steel case; AISI 316 stainless steel bulb

Bulb length: variable according to request

Power supply: 2 AG 13 batteries for long life

Sampling times: every 2 seconds

Display: LCD

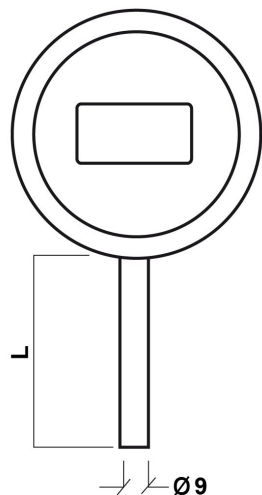
Dial: customizable front mask

Mounting: radial / rear / swivel

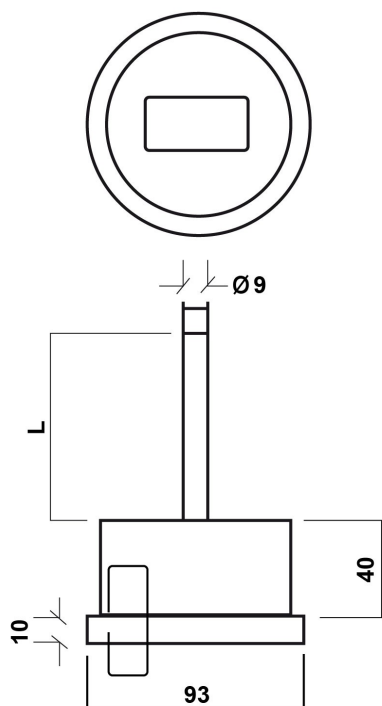
Process connection: smooth or with sliding fitting or complete with removable 1/2 "GAS or sanitary DIN 11851, CLAMP, SMS, IDF.



ASSEMBLY (With connection to the smooth process):

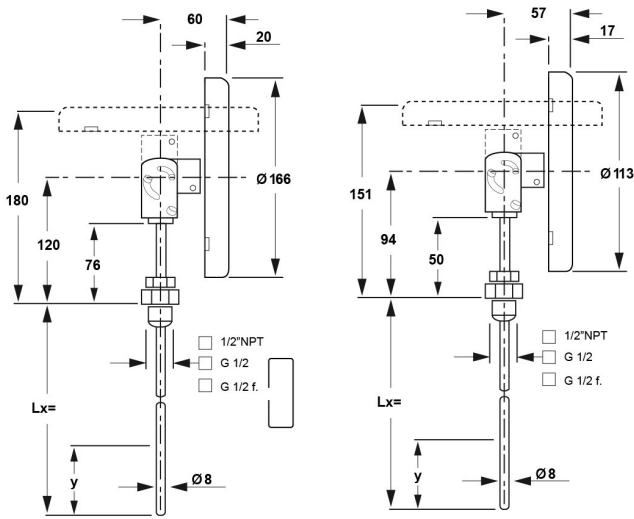


RADIAL



BACK



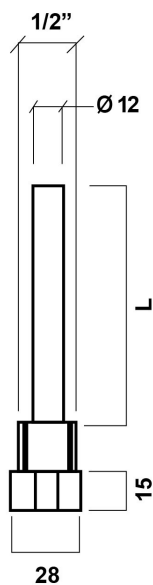


SWIVEL

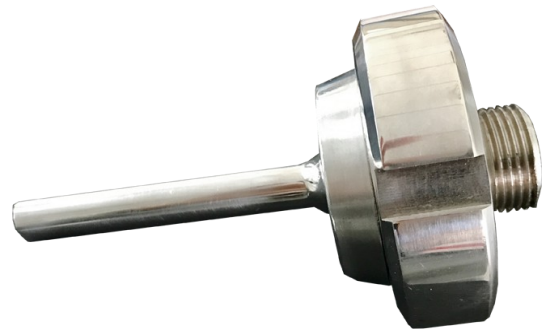
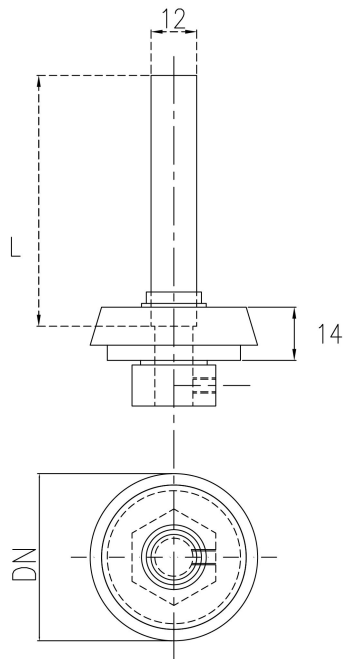
CONNECTIONS TO THE PROCESS:

It is possible to use a digital thermometer without thermowell exclusively where the operating pressure is low, the viscosity and the sliding speed are low.

However, in order to replace the instrument during operation and to guarantee a long life span and to ensure better protection of the thermometer, the system and the environment, it is advisable to use a thermowell between the models available in the SABA range .

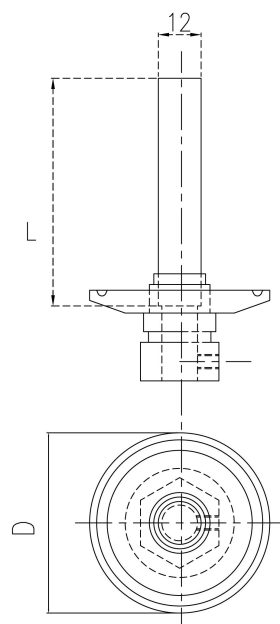


POCKET TREAD 1/2" GAS



THERMOWELL DIN 11851

DN: 15 – 25 – 40 – 50



THERMOWELL CLAMP

D: 1 1/2" – 2" – 2 1/2"

Certificates:

- Declaration of conformity
- Certification of materials
- MOCA certification (material objects in contact with food – on request)
- Pressure gauge certification: ATEX (on request)
- Pressure gauge calibration certificate (list of measured single values; 5 measurement points)

Order information:

Scale / Process connection / Pipe Size / Parts / Certificates